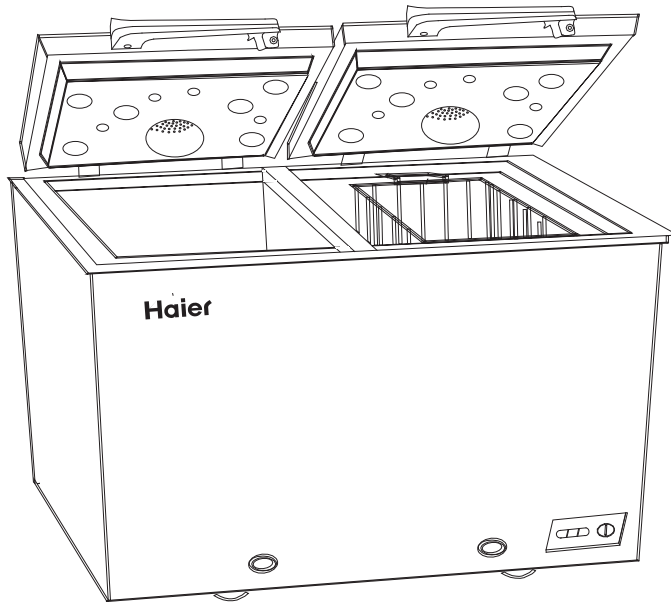


Haier



Haier Three In One Deep Freezer

HDF-325H

HDF-385H

SAFETY PRECAUTIONS

Read all of the instructions before using this appliance. When using this appliance, always exercise basic safety precautions, including the following:

- 1) Use this appliance only for its intended purpose as described in this use and care guide.
- 2) This freezer must be properly installed in accordance with the installation instructions before it is used. See grounding instructions in the installation section.
- 3) Never unplug your freezer by pulling on the power cord. Always grasp the plug firmly and pull straight out from the outlet.
- 4) Repair or replace immediately, all electric service cords that have become frayed or otherwise damaged. Do not use a cord that shows cracks or abrasion damage along its length, the plug or the connector end.
- 5) Unplug your freezer before cleaning or before making any repairs.
Note: *If for any reason this product requires service, we strongly recommend that a certified technician performs the service.*
- 6) Do not use any electrical device or any sharp instrument in defrosting your freezer.
- 7) If your old freezer is not being used, we recommend that you remove the doors. This will reduce the possibility of danger to children.
- 8) After your freezer is in operation, do not touch the cold surfaces in the freezer compartment, particularly when hands are damp or wet. Skin may adhere to these extremely cold surfaces.
- 9) Do not refreeze foods, which have been thawed completely.
- 10) This freezer should not be recessed or built-in an enclosed cabinet. It is designed for freestanding installation only.
- 11) Do not operate your freezer in the presence of explosive fumes.
- 12) Use of an extension cord is not recommended.

For Future Reference Please

SAVE THESE INSTRUCTIONS

DANGER

Risk of child entrapment. Before you throw away your old freezer, take off the door. Leave the shelves in place so that children may not easily climb inside.

Warning: Please take care of children, to keep hands and feet from punching and gaps in cabin or back which made by metal, in order to avoid accident.

Thank you for using our product.
This easy-to-use manual will guide you in getting the best use of your freezer.

Remember to record the model and serial number. They are on a label in back of the freezer.

Model number

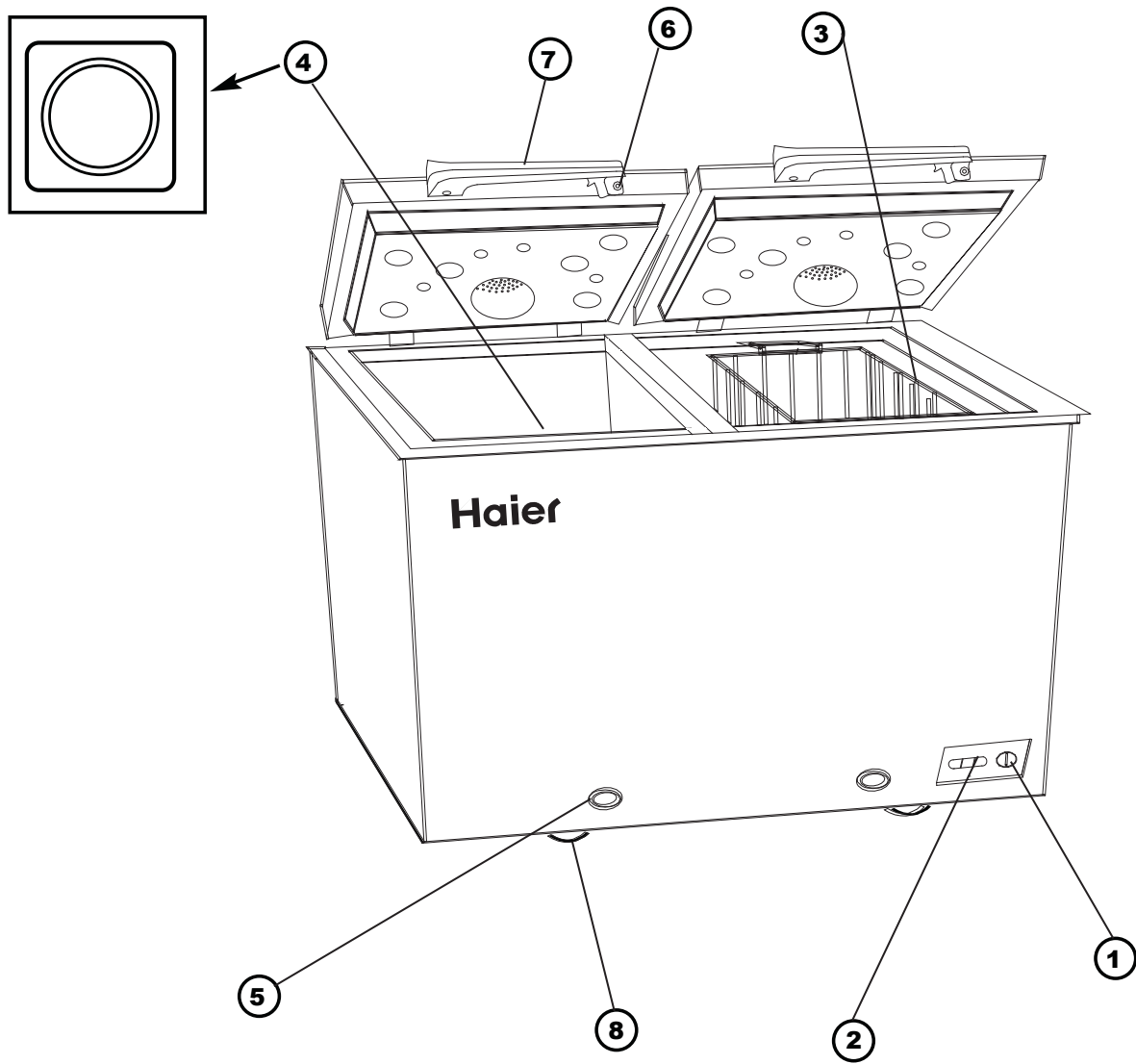
Serial number

Date of purchase

Table Of Contents

	PAGE
Safety Precautions	1
Parts And Features	4
Installing Your Freezer	5
Unpacking Your Freezer.....	5
Adjusting Your Freezer.....	5
Proper Air Circulation.....	5
Electrical Requirements.....	6
Install Limitations.....	6
Freezer Features And Use	7
Operating Your Freezer.....	7
General Features.....	7
Food Storage Baskets.....	8
Castors.....	8
Defrosting And Draining.....	9
Lock And Key.....	9
Food Storage Information.....	10
Normal Operating Sounds.....	10
Proper Freezer Care and Cleaning	11
Cleaning and Maintenance.....	11
Power Interruptions.....	11
Vacation And Moving Care.....	11
Troubleshooting	12

Parts And Features



Vary per model

- | | |
|-------------------------------------|-----------------|
| 1. Temperature Control Adjustment | 6. Lock and Key |
| 2. Power-On Indicator (green light) | 7. Handle |
| 3. Vinyl Coated Wire Basket | 8. Castor |
| 4. Interior Drain Plug (see insert) | |
| 5. Exterior Drain Plug | |

Installing Your Freezer

Unpacking Your Freezer

1. Remove all packaging material. This includes the foam base and all adhesive tapes holding the freezer accessories inside and outside.
2. Inspect and remove any remains of packing, tape or printed materials before powering on the freezer.

Adjusting Your Freezer

- Your freezer is designed for freestanding installation only. It should not be recessed or built-in.
- Place the freezer on a floor, which is strong enough to support it fully loaded.
- When moving the freezer, never tilt it more than 45-degree angle. This could damage the compressor and the sealed system.
- If the freezer is tilted let it stand in an upright position for at least 24 hours prior to plugging. This is to allow the refrigerant to settle.

Proper Air Circulation

- To assure your freezer works at the maximum efficiency it was designed for you should install it in a location where there is proper air circulation, plumbing and electrical connections.
- The following are recommended clearances around the deep freezer:

Sides	100mm
Top	100mm
Back	100mm

Electrical Requirement

- Make sure there is a suitable power outlet and proper grounding to the freezer.
- **Note:** For personal safety, this appliance must be properly grounded. Consult a qualified electrician or service center if the grounding instructions are not completely understood, or if doubt exists as to whether the appliance is properly grounded.

Install Limitations

- Do not install your freezer in any location not properly insulated or heated e.g. garage etc.
- Select a suitable location for the freezer on a hard even surface away from direct sunlight or heat source e.g. radiators, baseboard heaters, cooking appliances etc. Any floor unevenness should be corrected.

Freezer Features And Use

Operating Your Freezer

- Once the freezer is in its proper place, plug it in an proper electrical outlet.
- Set the temperature, on the temperature control knob. "1" being the warmest and "7" being the coldest. Initially set the temperature on "5". Place food inside the freezer (green light will come on indicating that the freezer is in operation). After using the freezer for 24 hours set the freezer to your desired setting.
- In case you unplug your freezer or experience an electrical outage, allow 5 minutes before plugging it back in.

General Features

Adjustable temperature dial:

Your freezer will automatically maintain the temperature level you select. The temperature control dial has 7 settings. "1" is the warmest, "7" is the coldest. Set the dial to "5" and allow 24 hours to pass before adjusting the temperature to your needs.

Food Storage Basket

- Your freezer has one removable basket. It allows you to store food more accessably or you can remove it if not needed.

Castors

Your freezer can be equipped with castors for easy moving. We recommend installing castors before using the freezer. Install following these easy steps:

- 1.Remove the food basket from the freezer
- 2.Slowly tilt the freezer on its side.
- 3.Tap one castor into the bottom of the freezer.
Fasten the castor into place with screws provided.
- 4.Install the other three castors in the same manner.
- 5.Return the freezer to its upright position and replace the food basket.

Note: it is important to wait for 24 hours after installation before plugging in the unit to allow the refrigerant to stabilize.

Defrosting and Draining The Freezer

- Defrost whenever the frost becomes 1/4" thick. Never use a sharp or metallic instrument to remove the frost as it may damage the cooling coils. (A punctured coil will void the warranty)
- For draining, place a tray beneath the outer drain plug. Pull out the drain dial (see fig. #2a) and rotate it so that the arrow points downward. This will let the water flow out into the tray.
- Remove the drain plug from the inside of the freezer (see fig. #2b). Defrosting usually takes a few hours. To defrost faster keep the freezer door open. When done, push the drain dial in and turn the arrow to the up position. Re-plug the drain plug inside the freezer compartment. **Note:** monitor the container under the drain to avoid overflow.
- Wipe the interior of the freezer and replace the electrical plug in the electrical outlet.
- Reset the temperature control to the desired setting.

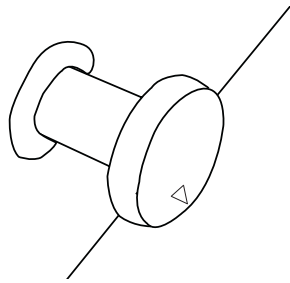


fig. # 2a

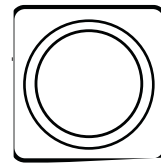


fig. # 2b

Lock and Key

- Your freezer has a lock and key feature to secure the freezer. Close the lid and turn key to lock. Turn key in direction to unlock.

Food Storage Information

Frozen Food:

- Wipe containers before storing to avoid needless spills.
- Hot food should be allowed to cool before storing in the freezer. This will prevent unnecessary energy use.
- When storing meats, keep in the original packaging or rewrap as necessary.
- Proper freezer storage requires correct packaging. All foods must be in packages, which do not allow the flow of air or moisture in, or out. Improper storage will result in odor and taste transfer and will result in the drying out of the improperly packaged food.
- Follow package or container instructions for proper storage.

Packaging Recommendations:

Plastic containers with air tight lids

Heavy duty aluminum foil

Plastic wrap made from saran film

Self-sealing plastic bags

- Do not refreeze defrosted/thawed foods.
- It is recommended that the freezing date be marked on the packaging.

Normal Operating Sounds You May Hear

- Boiling water, gurgling sounds or slight vibrations that are the result of the refrigerant circulating through the cooling coils.
- The thermostat control will click when it cycles on and off.

Proper Freezer Care and Cleaning

Cleaning and Maintenance

Warning: To avoid electric shock always unplug your freezer before cleaning. Ignoring this warning may result in death or injury.

Caution: Before using cleaning products, always read and follow manufacturer's instructions and warnings to avoid personal injury or product damage.

General:

- Prepare a cleaning solution of 3-4 tablespoons of baking soda mixed with warm water. Use sponge or soft cloth, dampened with the cleaning solution, to wipe down your freezer.
- Rinse with clean warm water and dry with a soft cloth.
- Do not use harsh chemicals, abrasives, ammonia, chlorine bleach, concentrated detergents, solvents or metal scouring pads. Some of these chemicals may dissolve, damage and/or discolor your freezer.

Door Gaskets:

- Clean door gaskets every three months according to general instructions. Gaskets must be kept clean and pliable to assure a proper seal.
- Petroleum jelly applied lightly on the hinge side of gaskets will keep the gasket pliable and assure a good seal.

Power Interruptions

- Occasionally there may be power interruptions due to thunderstorms or other causes. Remove the power cord from outlet when a power outage occurs. When power has been restored, replug power cord to outlet. If outage is for a prolonged period, inspect and discard spoiled or thawed food in freezer. Clean freezer before reusing.

Vacation and Moving Care

- For long vacations or absences, empty the food from the freezer, clean the door gaskets according to "General cleaning" section. Proper door open, so air can circulate inside. When moving always move the freezer horizontal. Move the unit lying down.

TroubleShooting

Freezer Does Not Operate:

- Check if thermostat control is not in the “1” position.
- Check if freezer is plugged in.
- Check if there is power at the ac outlet, by checking the circuit breaker.
- Wait for 30-40 minutes to see whether freezer will start. Compressor cycle must be complete to operate.

Food temperature appears too warm:

- Frequent door openings.
- Allow time for recently added warm food to reach freezer temperature.
- Check gaskets for proper seal.
- Adjust temperature control to colder setting.

Food temperature is too cold:

- If temperature control setting is too cold, adjust to a warmer setting and allow several hours for temperature to adjust.

Freezer runs too frequently:

- This may be normal to maintain constant temperature during high temperature and humid days.
- The door may have been opened frequently or for an extended period of time.
- Check gasket for proper seal.
- Check to see if the door is completely closed.
- Check freezer compartment for blockage from frozen food packages, containers, etc.

Freezer has an odor:

- Interior needs cleaning.
- Foods improperly wrapped or sealed are giving off odors.

Operation

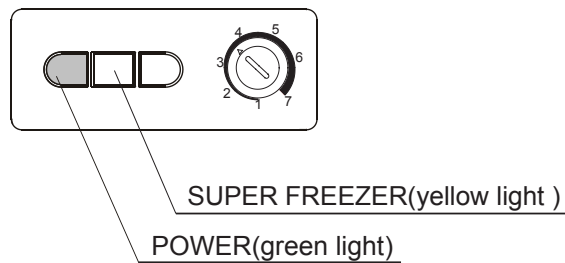
- Power supply

30 minutes later the appliance is turned on, the temperature inside the appliance will drop significantly.

- Temperature adjustment

The temperature in the appliance can be adjusted by turning the thermostat clockwise or anticlockwise according to the ambient temperature and the food in storage. The thermostat dial has the scales from 1 to 7. The digits of the scales do not indicate specific temperature, but the changes of temperature in the appliance. Scale 1 represents highest and scale 7 the lowest temperature, In most cases, the thermostat is set to scale 5 .

When fast freezing is intended,turn the SUPPER FREEZER SWITCH on and the thermostat function is disabled,the compressor continues cooling until the SUPPER FREEZER switch is turned off again.



- Loading the food

Wait for a while (3 hours in summer and 2 hours in winter) before loading the food in the freezer.

- Door lock

Completely insert the key to the lock and turn the key clockwise or anticlockwise 180° to lock or unlock the door.

Caution: Some time is needed before the reset temperature is reached.The length of this period is determined by the extent of temperature changes, ambient temperature, frequency of door opening and amount of food in storage.