

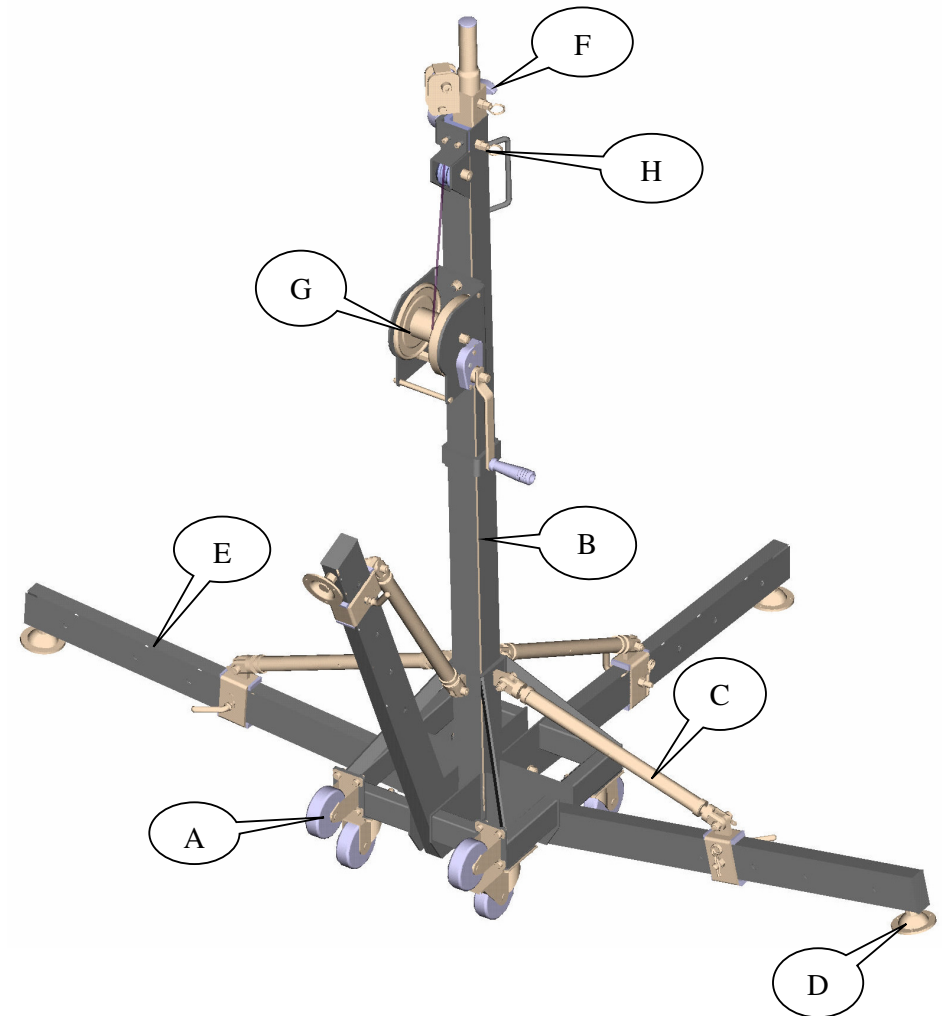


ST-157 PRODUCT DESCRIPTION

Thank you for choosing an ST-157 light stand from Global Truss America. This stand has been designed to have a low loading height, obtained by a multi-mast configuration. The telescopic masts are made of treated steel and have been sized in order to obtain maximum rigidity. The top mast has been designed with a 1-3/8" diameter steel tube which is standard in the industry for lifting and supporting pro audio speaker cabinets. Special attention has been placed on security. The spring loaded safety pins guarantee extra security when operating the stand and as a third safety device, each mast can be secured with a tension knob.

The ST-157 is equipped and shipped with:

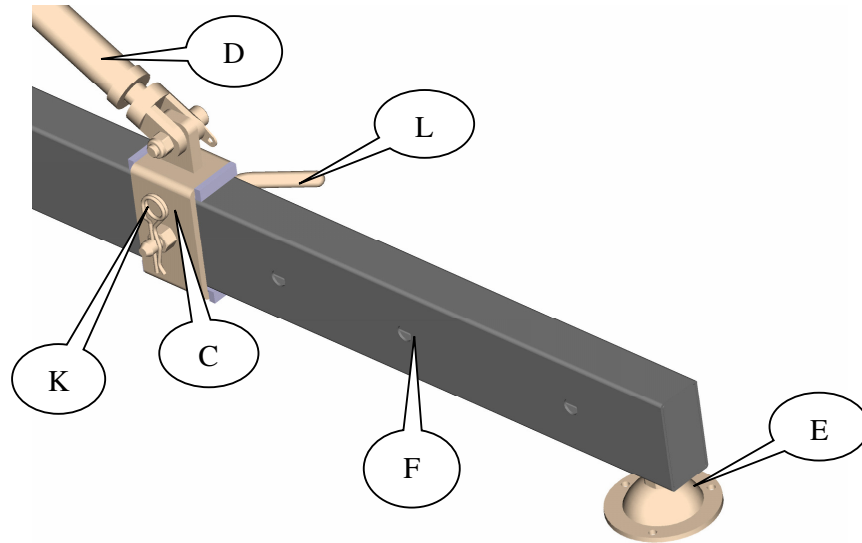
- A: Heavy duty casters for easy transport
- B: Heavy duty steel body and base
- C: Nylon guided adjustable leg brace turnbuckles
- D: Galvanized steel leveling screw jack feet
- E: Heavy duty steel outriggers
- F: Large tension knobs
- G: Manual cable winch with built in safety brake
- H: Spring loaded safety pins



ST-157 TECHNICAL SPECIFICATIONS

ALL SPECIFICATION ARE SUBJECT TO CHANGE WITHOUT NOTICE

Maximum Load:	150kg	330lbs.
Maximum Height:	4.8m	15`7"
Minimum Height:	1.95m	6`4"
Base Footprint:	2.13m	7`0"
Weight:	63kg	139lb
Base Dims:	22" x 17"	
Minimum Height:	1.95m	6`4"
Material:	Treated Steel	
Finish:	Epoxy Black / Electro Galvanized	

**SETTING UP THE STAND**

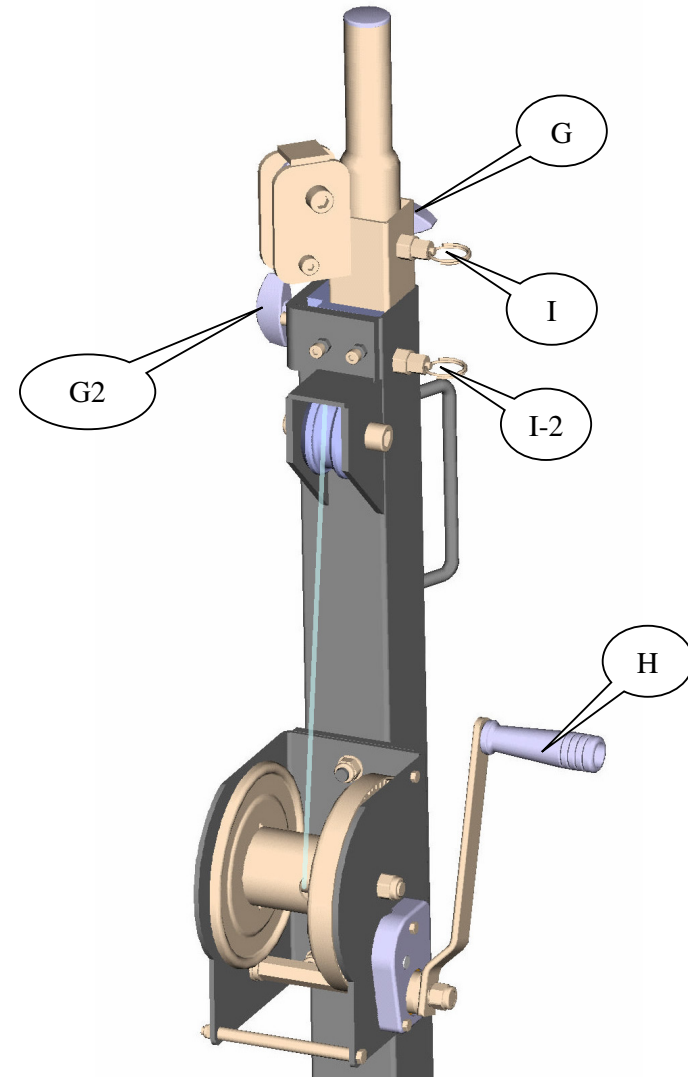
- 1) Place the stand in the vertical position on its wheels.
- 2) Ensure that the ground is firm enough to prevent the stand from sinking. The stability of the stand is of prime importance for secure operation. For outdoor and indoor use, 3/4" plywood pads under each footplate is recommended.
- 3) Pull out the cotter pin (K) and unscrew the slider pin (L) to unlock the leg brace slider (C). Lower the outrigger (F) from the vertical position to a horizontal position.
- 4) Secure the leg brace slider (C) to the hole closes to the base on the outrigger (F). Lock the leg brace slider (C) by attaching the slider pin (L) and cotter pin (K) to lock the leg brace slider (C) to the outrigger (F).
- 5) Repeat steps 3 and 4 on all of the outriggers (F).
- 6) Turn the turnbuckle counter clockwise (D) to lower the footplate (E) so that it is touching the ground.
- 7) Turn all the turnbuckles (D) counter clockwise on each outrigger until the base wheels are 1/2" off the ground.

RAISING THE MASTS

- 1) Loosen the tension knob (G) on the round telescopic mast.
- 2) Tighten all other tension knobs to ensure that the stand is lifting the top round mast only. The top round mast must be raise first, followed by the second square tube mast in sequence.
- 3) Pull the safety spring loaded pin (I) to unlock the top round mast.
- 4) Turn the winch crank (H) clockwise to raise the top mast. When the desired height has been reached, release the safety spring loaded pin into the positioning hole on the round mast.
- 5) Tighten the tension knob (G) to secure the mast and to avoid any lateral movement and further lifting.
- 6) Repeat steps 1-5 with on the 2nd square tube mast. Loosen the tension knob (G2) and release the safety spring loaded pin (I-2)
- 7) Once the desired working height has been obtained, all spring loaded pins have been locked and the tension knobs have been tighten, turn the winch crank handle(H) a 1/4 turn counter clockwise to release tension from the cable.

IMPORTANT

- 1) All equipment that is being raised by the cranks stands should be secured with Global Truss TUV rated clamps and safety cables prior to raising the mast to the desired working height.
- 2) One operator per stand is required when using the stands in pairs to lift trussing.
- 3) Keep hands and fingers clear of the steel cable and mast when lifting or lowering the mast.

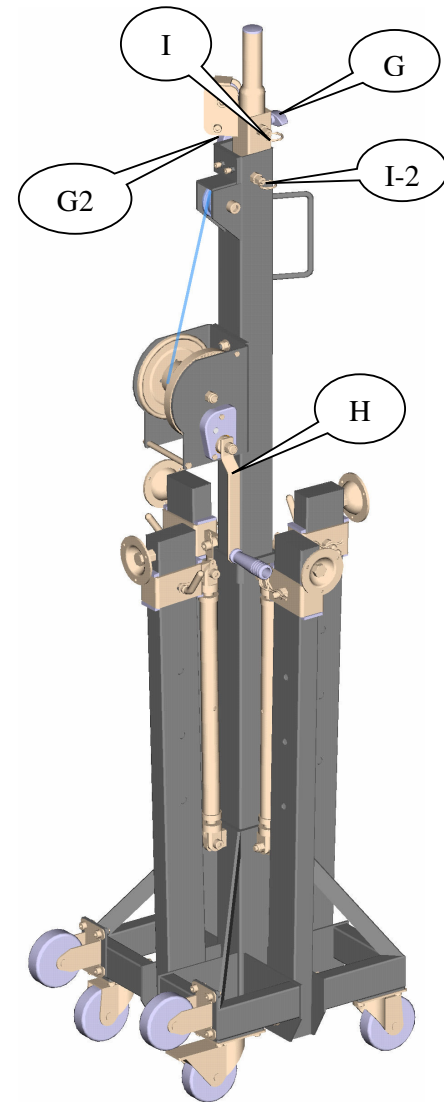


ATTACHING TRUSS

- 1) Attach the STSB-005 truss adapters (Sold separately) to the round tube mast. Tighten the tension knob on the adapter to prevent the adapter from moving or spinning.
- 2) Attach the truss to the truss adapters and secure the truss unto the adapters using the pin and cotter clips on the adjustable U brackets.

LOWERING THE MAST AND TRANSPORTING THE STAND

- 1) Turn the winch crank handle (H) a 1/4 turn clockwise to add tension to the cable. Reverse the lifting the mast steps 1-6 to lower the masts. All of spring loaded safety pins (I and I-2) must be locked into the lowest positioning hole and tension knobs must be tighten (G&G2).
- 2) Fold up the outriggers to the vertical position. All of the cotter pins and slider pins must secure the leg brace slider to the outriggers. Turn all of turnbuckles clockwise to make sure that all of the outriggers stay in the vertical position.
- 3) Turn the winch handle (H) until the cable is tight.
- 4) Your stand is ready for transport.
 - ✧ The steel cable must be correctly and completely rolled on the winch to avoid crushing the fibers
 - ✧ The stand must be transported in the vertical position.



SAFETY NOTES

- 1) Carefully inspect all parts before each use.
- 2) Do not exceed the load limitations provided in the guide. The weight of the truss and the equipment on the truss must be accounted for as load being supported by the stand. The load must be evenly distributed on the stands
- 3) Adequate safety measures must be taken when personnel is working underneath the loads carried by the truss and the stands. Safety cables and TUV rated clamps must use on all equipment being supported by the stands.
- 4) All electrical devices hung on truss or T bars supported by the stand must conform to the technical codes concerning electrical devices.
- 5) The stand must only be operated in the vertical position.
- 6) **All moving parts on the stand should be checked regularly for damaged and wear and tear.**
- 7) **The steel cable should be checked regularly for fraying.**
- 8) Do not use the stand if the welds or materials are cracked or if the unit has been dropped. The structural integrity may be compromised.
- 9) Do not move the stand when it is loaded.
- 10) Do not use the stand to lift people.
- 11) Do not lean ladders on the stand.
- 12) Do not use the stand in extreme outdoor weather conditions. Proper guy wiring is require when the using the stand outdoors.
- 13) Do not allow the stand to be used on soft surfaces.
- 14) Do not lubricate the winch brake. **Service must be performed by an authorized repair center.**

- 15) **The stand must be serviced and inspected a minimum once a year by an authorized service center. Some stands may require to be serviced more than once a year depending on the usage.**

DISCLAIMER

- 1) The use of trussing and lifting equipment in temporary or mobile applications is the sole responsibility of the operator.
- 2) During the 12 month warranty period, Global Truss or one of our authorized service centers will repair the stand if the damage is attributed to faulty materials or manufacturer defects.
- 3) The warranty does not cover damage due to negligent handling, overloading or parts subject to normal wear and tear.
- 4) The use of parts not supplied by Global Truss America or modifications to our design by third parties will void all warranties.