

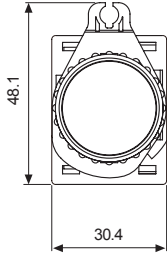
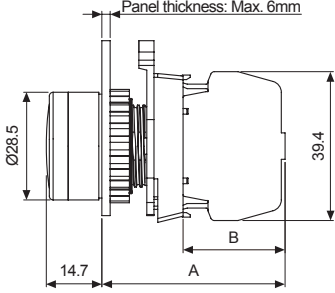


Type	Appearance	Model	Contact block		LED block										
			A contact	B contact	AC/DC voltage	AC voltage									
Flat round (extended)	 L2RR-L3R□ 	L2RR-L3□D(M)	—	—	1EA	—									
		L2RR-L3□L(M)	—	—	—	1EA									
<p>※□ indicates color: R (red), B (blue), G (green), Y (yellow), W (white)                      ※The (M) in the model name indicates modular type contacts. Models without (M) are singular types.                      ※The light unit and led blocks are sold separately. (light unit: bold letters, LED block: regular letters)                      ※The LED color is the same as the control unit.</p> <p>• Dimensions <span style="float: right;">(unit: mm)</span></p> <div style="display: flex; justify-content: space-around; align-items: flex-start;"> <div style="text-align: center;">  <p>48.1 30.4</p> </div> <div style="text-align: center;">  <p>Panel thickness: Max. 6mm                      Ø28.5                      14.7                      39.4                      A                      B</p> </div> <div style="border: 1px solid black; padding: 5px;"> <table border="1"> <thead> <tr> <th></th> <th>A</th> <th>B</th> </tr> </thead> <tbody> <tr> <td>Singular type contact</td> <td>48.5</td> <td>27.0</td> </tr> <tr> <td>Modular type contact</td> <td>46.5</td> <td>25.0</td> </tr> </tbody> </table> </div> </div> <p style="text-align: right;">※For panel cut-out dimensions, please refer to page A-36.</p>								A	B	Singular type contact	48.5	27.0	Modular type contact	46.5	25.0
	A	B													
Singular type contact	48.5	27.0													
Modular type contact	46.5	25.0													