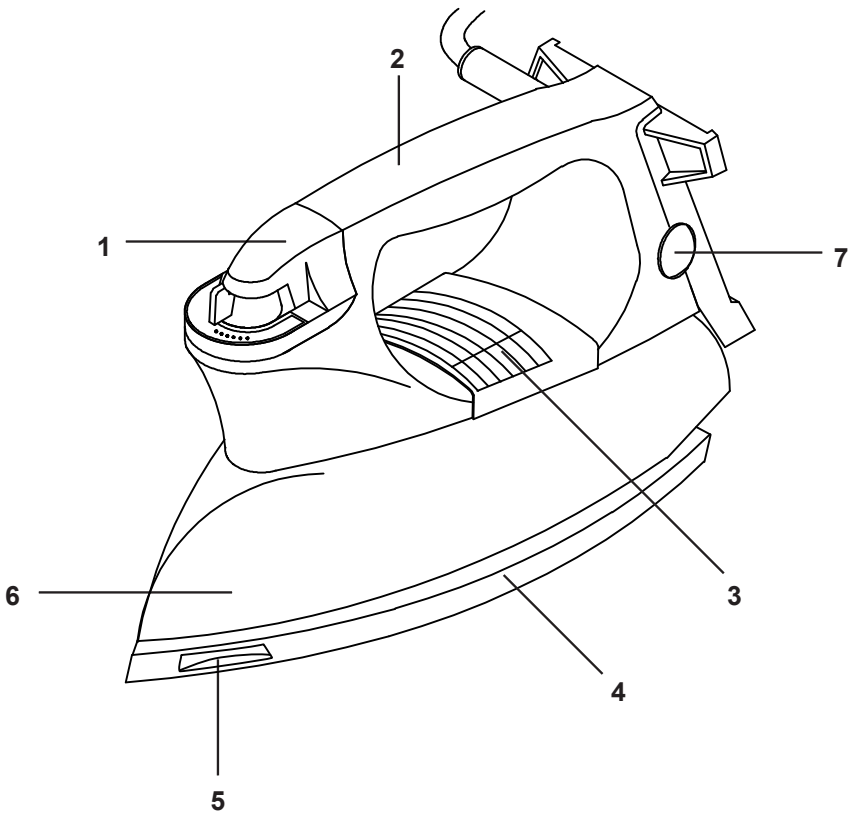


## Parts Identification

1. Thermostat Control
2. Handle
3. Fabric Guide
4. Non stick Coated Soleplate
5. Button Grooves
6. Chrome finish body
7. Heel rest



# F500

## Xprez Heavy Weight Dry Iron

### Technical Data

Dry Iron		F500
Voltage	Volts	220 – 240
Supply	Hz	50/60
Power consumption	W	1000-1200

### Intended use

Your Black & Decker Iron has been designed to iron clothing for household use only.



Read this entire manual carefully before using the appliance.

### Safety instructions

When using electrical appliances, in order to reduce the risk of fire, electric shock, and/or injury to persons, basic safety precautions should be followed, including the following:

- Read all instructions carefully, even if you are familiar with the appliance.
- To protect against the risk of electric shock, DO NOT IMMERSE the appliance, cord set or plug in water or other liquids
- To clean, wipe the exterior with a damp cloth
- Close supervision is necessary when any appliance is used by or near children. Never leave an appliance unattended when in use
- Switch off and remove the plug from the power outlet when not in use before assembling or disassembling parts, and pull from power outlet. Never pull the cord.

- Do not operate any appliance with a damaged cord or plug, or after the appliance malfunctions, or is dropped or damaged in any manner. Return the complete appliance to your nearest authorized service facility for examination, electrical repair, mechanical repair or adjustment.
- The use of attachments or accessories not recommended or sold by this appliance manufacture may result in fire, electric shock or personal injury.
- Do not let the cord hang over the edge of a table, counter, or touch hot surfaces.
- Avoid touching hot surface, use handles and knobs.
- Do not operate or place any part of this appliance on or near any hot surfaces (such as gas or electric burner or in a heated oven)
- Do not abuse the cord. Never carry the appliance by the cord or yank it to disconnect it from the outlet; instead, grasp the plug and pull to disconnect.
- When using an extension cord with your appliance, make sure the extension cord is correctly wired and rated for its use.
- This product is intended for household use only.
- Do not attempt to pair the appliance yourself; instead, take it to your Black & Decker-Owned or Authorized Service Centre for repair

This appliance is not intended for use by persons (including children) with reduced physical, sensory or mental capabilities, or lack of experience and knowledge, unless they have been given supervision or instruction concerning use of the appliance by a person responsible for their safety.

Children should be supervised to ensure that they do not play with the appliance.

- the iron must be used and rested on a stable surface
- when placing the iron on its stand, ensure that the surface on which the stand is placed is stable
- the iron is not to be used if it has been dropped, if there are visible signs of damage or if it is leaking
- The iron must not be left unattended while it is connected to the supply mains
- the plug must be removed from the socket-outlet before the water reservoir is filled with water
- the filling aperture must not be opened during use. instructions for the safe refilling of the water reservoir shall be given

## Mains Plug Replacement

If a new mains plug needs to be fitted:

- Safely dispose of the old plug
- Connect the brown lead to the live terminal of the new plug
- Connect the blue lead to the neutral terminal
- If the product is class I (earthed), connect the green/yellow lead to the earth terminal

**Warning!** If your product is class II double insulated (only 2 wires in the cord set), no connection is to be made to the earth terminal. Follow the fitting instruction supplied with good quality plugs.

Any replacement fuse must be of the same rating as the original fuse supplied with the

product.

## Features

- Temperature Control dial for setting the correct temperature for the fabric
- Non-stick gold coated soleplate for safe non-stick ironing
- Fabric guide for easy reference
- Indicator lamp to show when the iron is ready
- Button grooves to easily iron around buttons
- Braided cord for extra safety

## How to use your Xprez Iron

This iron is designed to iron clothing for household use only.

Connect the plug to a standard domestic power outlet. Stand the iron on its heel. Turn the temperature dial to the correct fabric setting. The thermostat indicator light will glow indicating the iron is heating up. When the light goes out, the required temperature has been reached.

Always test the temperature by first ironing a hem or similar area. Remember, an iron heats up faster than it cools down. So start with cool fabric and work up to hotter setting. If you turn a setting down, allow the temperature to adjust before continuing ironing.

Unplug the iron from the electricity supply immediately after use. Unplug the iron by gripping the plug and pulling it from the outlet. Never yank on the cord.

## How to care for your Xprez Iron

Wipe thoroughly with a damp cloth or sponge. Never use abrasives, heavy duty cleansers,

vinegar or scouring pads.

Do not use metal scouring pad since they will scratch the soleplate.

After the iron is cooled completely, wind the cord around the storage wrap on the heel of the iron. Do not wind too tightly as this can damage the iron.

## NOTE:

Do not touch the soleplate while the iron is hot.

Do not leave the iron unattended while connected to the electrical supply.

Never immerse the spray iron in water.

## Protecting the environment



Separate collection. This product must not be disposed of with normal household waste.

Should you find one day that your Black & Decker product needs replacement, or if it is of no further use to you, do not dispose of it with household waste. Make this product available for separate collection.

Separate collection of used products and packaging allows materials to be recycled and used again. Re-use of recycled materials helps prevent environmental pollution and reduces the demand for raw materials.

Local regulations may provide for separate collection of electrical products from the household, at municipal waste sites or by the retailer when you purchase a new product.

## Service Information

Black & Decker offers a full network of company-owned and authorized service locations throughout Asia. All Black & Decker Service Centers are staffed with trained personnel to provide customers with efficient and reliable power tool service. Whether you need technical advice, repair, or genuine factory replacement parts, contact the Black & Decker location nearest to you.

## Notes

- Black & Decker's policy is one of continuous improvement to our products and, as such, we reserve the right to change product specifications without prior notice
- Standard equipment and accessories may vary by country
- Product specifications may differ by country
- Complete product range may not be available in all countries
- Contact your local Black & Decker dealers for range availability