



## Toaster Oven



### First Use Safety Recommendation

Please read through this booklet for safe and efficient use of the appliance. We urge you to read the "Hint's" section and also follow all detailed instructions even if you are familiar with using this appliance.

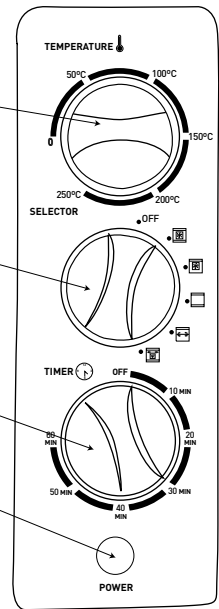
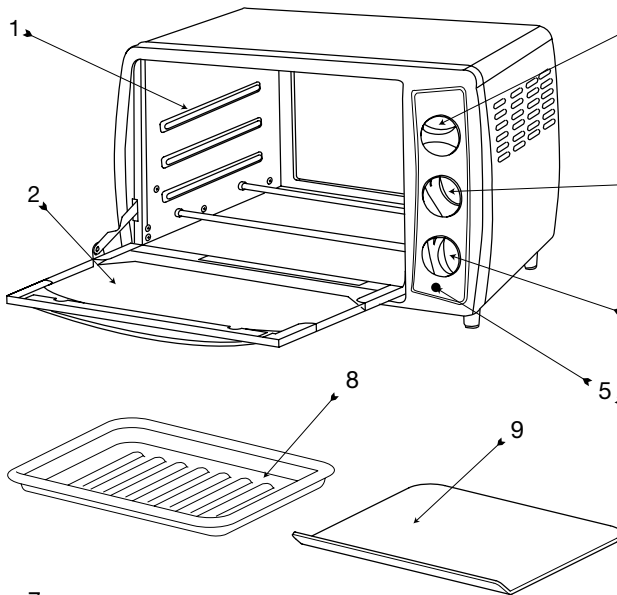
Keep this guide handy for future reference.

## IMPORTANT SAFEGUARDS

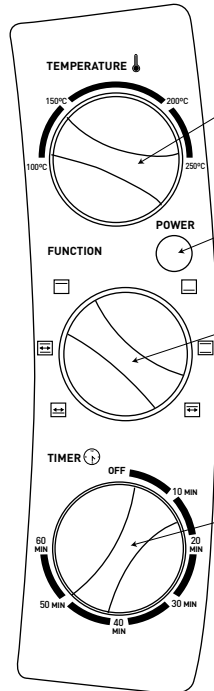
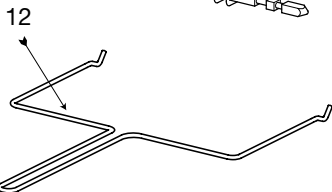
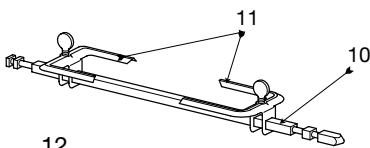
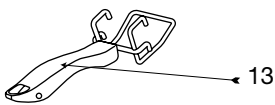
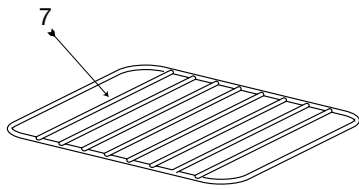
While using electrical appliances, in order to reduce the risk of fire, electric shock, and/or injury to persons, basic safety precautions should be followed, including the following:

- Read all instructions carefully, even if you are familiar with the appliance.
- To protect against the risk of electric shock, **DO NOT IMMERGE** the appliance, cord set or plug in water or other liquids.
- To clean, wipe the exterior with a damp cloth.
- Close supervision is necessary when any appliance is used near children. Never leave an appliance unattended when in use.
- If the supply cord is damaged, it must be replaced by the manufacturer or its service agent or a similarly qualified person in order to avoid a hazard.
- Switch off and remove the plug from the power outlet when not in use before assembling or disassembling parts, cleaning or carrying out any maintenance of the appliance. Never pull the cord while unplugging out from power outlet.
- Do not operate the appliance if its damaged in any manner. Return the complete appliance to your nearest authorized service facility for examination, electrical repair, mechanical repair or adjustments to avoid any hazard.
- The use of attachments or accessories not recommended or sold by this appliance manufacturer may result in fire, electric shock or personal injury.
- Do not let the cord hang over the edge of a table, counter, or touch hot surfaces.
- Avoid touching hot surfaces, use handles and knobs.
- Do not operate or place any part of this appliance on or near any hot surfaces (such as gas or electric burner or in a heated oven).
- Do not abuse the cord. Never carry the appliance by the cord or yank it to disconnect it from the outlet; instead, grasp the plug and pull to disconnect.
- When using an extension cord with your appliance, make sure the extension cord is correctly wired, and rated for its use.
- This product is intended for household use only.
- Do not attempt to repair the appliance yourself; instead, take it to your Black & Decker-owned or Authorized Service Centre for repair.

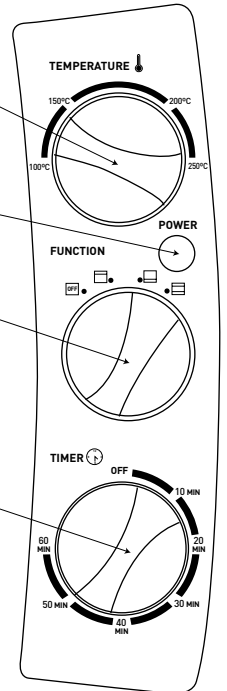
**SAVE THESE INSTRUCTIONS**



TRO50, TRO55 & TRO60



TRO2000R



TRO2000

### Parts Identification

1. Shelf supports
2. Glass door
3. Temperature control
4. Timer
5. Power indicator lamp
6. Function selector
7. Shelf
8. Food tray
9. Crumb tray ( TRO50, TRO55 & TRO60 )
10. Rotisserie skewer
11. Rotisserie forks
12. Rotisserie handle
13. Food tray handle

### Intended use

Your Black & Decker toaster oven has been designed for toasting, baking etc. Your toaster oven should not be used for any other applications. This appliance is intended for indoor household use only.

### Safety instructions

**Warning!** When using mains-powered appliances, basic safety precautions, including the following, should always be followed to reduce the risk of fire, electric shock, personal injury and material damage.



Read all of this manual carefully before using the appliance.

- The intended use is described in this manual. The use of any accessory or attachment or the performance of any operation with this appliance other than those recommended in this instruction manual may present a risk of personal injury.

- Retain this manual for future reference.

### Using your appliance

- Make sure that the appliance is switched off before connecting to or disconnecting from the power supply.
- Always take care when using the appliance.
- Do not use the appliance outdoors.
- Never pull the power supply cord to disconnect the plug from the socket. Keep the power supply cord away from heat, oil and sharp edges.
- If the power supply cord is damaged during use, disconnect the appliance from the power supply immediately. Do not touch the power supply cord before disconnecting from the power supply.
- Disconnect the appliance from the power supply when not in use, before carrying out any maintenance, fitting or removing parts and before cleaning.

### Safety of others

- This appliance is not intended for use by persons (including children) with reduced physical, sensory or mental capabilities, or lack of experience and knowledge, unless they have been given supervision or instruction concerning use of the appliance by a person responsible for their safety.
- Children must be supervised to ensure that they do not play with the appliance.
- Do not allow children or any person unfamiliar with these instructions to use the appliance.

- Do not allow children or animals to come near the work area or to touch the appliance or power supply cord.
- Close supervision is necessary when the appliance is used near children.

### After use

- Switch off and remove the plug from the socket before leaving the appliance unattended and before changing, cleaning or inspecting any parts of the appliance.
- When not in use, the appliance should be stored in a dry place. Children should not have access to stored appliances.

### Inspection and repairs

- Before use, check the appliance for damaged or defective parts. Check for breakage of parts, damage to switches and any other conditions that may affect its operation.
- Do not use the appliance if any part is damaged or defective.
- Have any damaged or defective parts repaired or replaced by an authorised repair agent.
- Before use, check the power supply cord for signs of damage, ageing and wear.
- Do not use the appliance if the power supply cord or mains plug is damaged or defective.
- If the supply cord is damaged, it must be replaced by the manufacturer or its service agent or a similarly qualified person in order to avoid a hazard.
- Never attempt to remove or replace any parts other than those specified in this manual.

### Specific safety Instructions for toaster ovens

**Warning!** Accessible parts may become hot when the appliance is in use. Children should be kept away.

The following symbols are found on your appliance:



Denotes a hot surface.

- Always route the cord carefully to avoid a tripping hazard.
- Do not allow the cord set to hang over bench tops.
- Allow adequate space around and above the appliance for ventilation.
- Care must be taken when opening the appliance as hot air may escape on opening.
- The glass door and the outside surfaces of the oven get very hot during use. Oil and other cooking liquids may also get very hot during use. Always wear oven gloves when opening the glass door and when removing trays from the oven.
- Care should be taken to avoid touching heating elements inside the oven.
- Do not cover trays or other parts with metal foil as this may cause overheating.
- Surfaces may be hot during use and during the cool down period.
- Do not use a steam cleaner to clean this appliance.
- Never immerse the appliance, the cord set or the plug in liquid.

### Never use the following items in your toaster oven:

- Sealed containers such as sealed pouches or unopened cans.
- Glass lids on glass or metal bake-ware.
- Plastic wrapping or paperboard covers.
- Containers larger than those recommended (larger and higher containers will interfere with air circulation).
- Containers with specific warnings against use in ovens.

### Electrical safety



This product must be earthed. Always check that the power supply corresponds to the voltage on the rating plate.

Power plugs must match the outlet. Never modify the plug in any way. Do not use any adapter plugs with earthed (Class 1) appliances. Unmodified plugs and matching outlets will reduce the risk of electric shock.

### Extension cables & Class 1 product



A 3 core cable must be used as your appliance is earthed and of Class 1 construction. Up to 30m (100 ft) can be used without loss of power.

### Additional instructions for your toaster oven

- Metal, oven proof glass or glass ceramic bake-ware may be used in your oven.

- Follow manufacturer's instructions. When using deep oven proof glass or glass ceramic containers, make sure that the top edge of the container is at least 2.5 cm away from the upper heating elements.
- Many prepared frozen foods are packaged in nonmetallic containers suitable for use in microwave ovens as well as regular ovens. Check the package instructions to determine if the container is suitable for use in a regular oven.
- When using these containers in a toaster oven, always allow the oven to preheat for about 5 minutes before placing the ingredients inside.
- Remove any plastic wrapping and plastic or cardboard covers which may only be suitable for use in microwave ovens.
- Place the container holding the food to be cooked on the oven pan and cook according to the instructions or until the food is thoroughly heated.
- Never use these containers when cooking or top browning.

### Use

- After cleaning, the food tray (7) can be lightly coated with butter, margarine or cooking fat.

## Operation

The function selector (6) on your appliance has the following symbols:

OFF



Top elements on (toasting) (TRO2000 & TRO2000R)



Toasting with convection (TRO50, TRO55 & TRO60)



Lower elements on (baking) (TRO2000 & TRO2000R)



Broiling (top and bottom elements) (TRO2000, TRO2000R, TRO50, TRO55 & TRO60)



Broiling with convection (TRO50, TRO55 & TRO60)



Top elements on and rotisserie on (TRO50, TRO55, TRO60 & TRO2000R)



Rotisserie convection and both elements (TRO50, TRO55 & TRO60)



Rotisserie with bottom element



Rotisserie with top and bottom elements

## Tray positions

- Use the upper position for faster browning and cooking times, but be sure to allow at least 2.5 cm between the food and the heating elements. Use the lower position for longer cooking times or for delicate foods when less browning is required.
- Do not cover the shelf (7) with aluminium foil, as this prevents fats and juices from dripping into the food tray (8) and could cause the oven to overheat.
- Open the glass door (2) completely to pull out the shelf (7). Be sure to use protective gloves to prevent burns.



**Toasting (top element only)**  
(TRO2000 & TRO2000R)

- Slide the shelf (7) into one of the available positions.
- Place the bread on the shelf (7).

- Set the function selector (6) to the top element only position.
- Set the temperature control (3) to the required temperature.
- Turn the timer to the required time. If a time of less than 10 minutes is required, turn the dial past 10 minutes and then turn it back to the correct time. The oven will turn on automatically with the timer.
- As soon as the cooking time has elapsed, cooking will stop automatically and an alarm will be heard.
- Moist or fresh breads may cause condensation to form on the inside of the glass door (2). This is normal and will vary with the bread being toasted.



**Toasting with convection (TRO50, TRO55 & TRO60)**

Toasting with convection is the same as "Toasting", however cooking will be completed faster due to the convection action. Reduce cooking times to suit.



**Baking (bottom element only)**  
(TRO2000 & TR2000R)

- Slide the shelf (7) into one of the available positions.
- Place the food on the shelf (7).
- Close the glass door (2).
- Set the function selector (6) to the bottom element only position.
- Set the temperature control (3) to the required temperature.
- Set the timer (4) to the required baking time.
- Turn the timer to the required time. If a time of less than 10 minutes is required, turn the dial past 10 minutes and then turn it back to the correct time. The oven will turn on automatically with the timer.
- As soon as the cooking time has elapsed, cooking will stop automatically and an alarm will be heard.

### Baking tips

- As with a full-size oven, frozen casseroles will require more cooking time than thawed casseroles. Loosely cover the tops of frozen casseroles with aluminium foil and uncover the last 5 or 10 minutes to enhance browning. Make sure that the foil does not touch the heating elements.




### Broiling (top and bottom elements) (TRO2000, TRO2000R, TRO50, TRO55 & TRO60)

- Do not preheat.
- Always use the shelf (7) and food tray (8) provided.
- Slide the shelf (7) into one of the available positions.
- Place the food on the shelf (7).
- Close the glass door (2).
- Set the function selector (6) to the top and bottom element position.
- Set the temperature control (3) to the required temperature.
- Set the timer (4) to the required cooking time. If a time of less than 10 minutes is required, turn the dial past 10 minutes and then turn it back to the correct time. The oven will turn on automatically with the timer.
- As soon as the cooking time has elapsed, cooking will stop automatically and an alarm will be heard.
- Cook food carefully and remove when cooked and browned to your satisfaction.

### Broiling with convection (TRO50, TRO55 & TRO60)

Broiling with convection is the same as "Broiling", however cooking will be completed faster due to the convection action. Reduce cooking times to suit.

### Rotisserie (TRO2000R, TRO50, TRO55 & TRO60)

-  Rotisserie with top element,
-  Rotisserie with bottom element
-  Rotisserie with top and bottom elements

### Assembly

- Insert the pointed end of the rotisserie skewer (10) through one fork (11), making sure that the points of the fork (11) face the same direction as the pointed end of the spit.
- Slide the fork (11) towards the square section of the spit and secure it with the thumbscrew.
- Push the spit through the centre of the food.
- Fit the second fork (11) on to other end of the spit, piercing the food with both forks, make sure that the food is centred on the spit.
- Secure it with the thumbscrew.
- If required, preheat the oven as directed in the recipe.
- Insert the pointed end of the spit into the drive socket located on right-hand side of the oven wall. Make sure the square end of the spit rests on the support on the left-hand side of the oven wall.

### Rotisserie operation with convection (TRO50, TRO55 & TRO60)

- Place the food tray (8) in the bottom of the oven, directly under the food to be cooked.
- Set the temperature control (3) to high.
- The function selector (6) gives the option to use the upper or lower element, or both elements with the convection fan.
- Set the timer (4) to the required cooking time. If a time of less than 10 minutes is required, turn the dial past 10 minutes and then turn it back to the correct time. The oven will turn on automatically with the timer.



## English

- As soon as the cooking time has elapsed, cooking will stop automatically and an alarm will be heard.
- Food should always be checked 5-10 minutes before expected completion.

### Cleaning and maintenance

#### Cleaning our oven

**Warning!** Before cleaning the inside or outside of your oven, always turn the oven off, unplug it and let it cool.

**Warning!** Do not use solvents or any type of cleaning agent or cleaning pad unless recommended in this manual to clean the oven.

**Warning!** A steam cleaner is not to be used to clean this appliance.

**Warning!** Do not touch the heating elements, even for cleaning.

- Clean the outside and the inside appliance with a damp cloth. Make sure that the appliance is dry on the inside and the outside before use.
- The best way to keep your oven clean is to wipe away spills, spatters and crumbs after each use.
- Only the shelf (7) and food tray (8) are dishwasher-safe.

#### Glass door

**Warning!** Do not use a spray glass cleaner to clean the glass door (2).

- Clean the glass door (2) with a damp, soapy cloth. Dry thoroughly before using the oven.

#### Shelf, crumb tray and food tray

- Open the glass door (2), remove the food tray (8) and slide the shelf (7) and crumb tray (9) from the oven.
- Wipe away crumbs and food spills with a slightly damp cloth.
- Wipe the crumb tray (9) with a damp cloth. Dry thoroughly before using the oven.

- Wash the cooled shelf (7) in hot, soapy water or in a dish washer. To remove stubborn spots, use a polyester or nylon mesh pad.

### Technical Data

		TRO2000	TRO50	TRO55	TRO60
Voltage	Vac	220-240	220-240	220-240	220-240
No Load Power	W	1380	1500	1500	1800
Capacity	l	19	28	35	42
Weight	kg	4.6	6.3	7.4	10.4

### Protecting the environment



Separate collection. This product must not be disposed of with normal household waste.

Should you find one day that your Black & Decker product needs replacement, or if it is of no further use to you, do not dispose of it with other household waste. Make this product available for separate collection.



Separate collection of used products and packaging allows materials to be recycled and used again. Use of recycled materials helps prevent environmental pollution and reduces the demand for raw materials.

Local regulations may provide for separate collection of electrical products from the household, at municipal waste sites or by the retailer when you purchase a new product.

Black & Decker provides a facility for the collection and recycling of Black & Decker products once they have reached the end of their working life. To take advantage of this service please return your product to any authorised repair agent who will collect them on our behalf. You can check the location of your nearest authorised repair agent by contacting your local Black & Decker office at the address indicated in this manual. A list of authorised Black & Decker repair agents and full details of our after-sales service and contact are available on the Internet at: [www.2helpU.com](http://www.2helpU.com)

## **BLACK & DECKER HOME APPLIANCE 2 YEAR WARRANTY**

Black & Decker provides a 2 Year Warranty for this product from the date of purchase against defects due to defective materials or workmanship. Motor/element burn-outs due to voltage fluctuations are not covered under warranty. If the product should become defective within the warranty period, Black & Decker will repair or (at Black & Decker's discretion) replace it free of charge.

The warranty provisions do not cover failure due to accident, misuse, abuse, negligence or non observation of local regulations on the part of the user. Equally, the warranty provisions do not apply where the appliance has been serviced by a person not authorized by Black & Decker or serviced with non-approved parts and this has contributed to the fault of the product. Superseded models without a replacement equivalent will either be repaired or (at Black & Decker's discretion) replaced with another product of similar retail value.

### **UPON PURCHASE**

Fill in the Warranty Registration Card with the original Authorized Dealer's stamp (indicating date of purchase) and attach your purchase receipt to it. Retain in case of claims in the future.

### **MAKING A CLAIM**

Take your defective product together with the Warranty Registration Card & purchase receipt to your local service Centre. You can either do this in person or send it freight prepaid. If mailing or shipping your appliance, ensure that it is packed carefully in a sturdy carton with enough packing material to prevent damage. Include a note describing the problem to the service Centre and be sure to give your return address.

### **DESIGNED FOR DOMESTIC PURPOSES ONLY.**

## ضمان شامل لمدة سنتين لأجهزة BLACK & DECKER المنزلية

تمنح Black & Decker ضماناً شاملاً مدته سنتين لهذا المنتج اعتباراً من تاريخ الشراء .  
يغطي الضمان عيوب التصنيع أو المواد الداخلة في التصنيع . وفي حالة إصابة المنتج بأي عطل أثناء فترة الضمان، ستقوم شركة بإصلاحه أو (وفقاً لتقدير Black & Decker) استبداله مجاناً .

لا يغطي الضمان الأعطال الناتجة عن الحوادث، سوء الاستعمال، الإهمال، الاستعمال الخاطئ، أو عدم اتباع النظم المعمول بها محلياً .  
كذلك، لا تطبق شروط الضمان إذا تمت صيانة أو تصليح المنتج لدى طرف غير معتمد من قبل شركة Black & Decker ، أو في حالة استخدام قطع غيار بدون الرجوع إلى الشركة أو الحصول على موافقتها، وتسببت هذه القطع في العطل. وإذا توقف إنتاج أي طراز مع عدم وجود البديل المناسب، فإن لشركة Black & Decker حق اختيار إصلاح المنتج أو استبداله بطراز آخر بنفس القيمة الشرائية .

### عند الشراء

املاً بطاقة تسجيل الضمان مع التأكد من وجود الختم الأصلي للتاجر المعتمد (وتوضيح تاريخ الشراء) ثم ارفق إيصال الشراء بالبطاقة .  
الرجاء الاحتفاظ بهما لإبرازهما في حالة وجود مطالبات في المستقبل .

### عملية المطالبة

خذ المنتج المعطل مع بطاقة الضمان وإيصال الشراء بنفسك إلى مركز الصيانة المحلي أو يمكنك إرساله بالبريد المدفوعة أجرته سلفاً .  
وفي حالة إرسال الجهاز بالبريد أو الشحن، تأكد من تفريغ المنتج من الماء كلياً وقم بتغليفه جيداً في صندوق كرتون مقوى مع إضافة مواد تغليف لملء الفراغات لتفادي إصابته بأي ضرر . ارفق ملاحظة تصف فيها المشكلة لمركز الصيانة وتأكد من كتابة عنوانك .

صُمم للاستعمالات المنزلية فقط.

- اغسل الرف (٧) بعد أن يبرد بماء ساخن وصابون أو في غسالة الأطباق. لإزالة البقع الصعبة، استخدم لبدة من خيوط النايلون أو البوليستر.

### البيانات الفنية

TRO60	TRO55	TRO50	TRO2000	الفتل	التيار المتغير للفتل
٢٤٠-٢٢٠	٢٤٠-٢٢٠	٢٤٠-٢٢٠	٢٤٠-٢٢٠	غير محملة	وات
١٨٠٠	١٥٠٠	١٥٠٠	١٣٨٠	السعة	لتر
٤٢	٣٥	٢٨	١٩	الوزن	كجم
١٠,٤	٧,٤	٦,٣	٤,٦		

### حماية البيئة

يجب عدم التخلص من هذا المنتج مع بقية النفايات المنزلية.



إذا وجدت في يوم من الأيام أنك بحاجة لشراء جهاز بلاك أند ديكر جديد، أو لم تعد بحاجة للجهاز القديم، لا تتخلص منه مع النفايات المنزلية الأخرى. جهز هذا المنتج للإستلام منفصل.

الإستلام المنفصل للمنتجات المستعملة ومواد التغليف يسمح بإعادة تصنيع المواد واستعمالها من جديد. إستعمال المواد المعاد تصنيعها يساعد على منع التلوث البيئي ويقلل الطلب على المواد الأولية.



الأنظمة المحلية قد تنص على ضرورة الإستلام المنفصل لمنتجات الكهربائية من المنازل، في مواقع البلدية للنفايات أو بواسطة بائع التجزئة عندما تشتري منتجاً جديداً.

توفر بلاك أند ديكر التسهيلات لاستلام وإعادة تصنيع منتجات بلاك أند ديكر عندما تصل إلى نهاية حياتها العملية. للإستفادة من هذه الخدمة، يرجى إعادة جهازك إلى أي وكيل تصليح معتمد والذي سيقوم باستلامه بالنيابة عنا. يمكنك معرفة موقع أقرب وكيل تصليح معتمد بالنسبة لك بمراجعة مكتب بلاك أند ديكر المحلي على العنوان المبين في هذا الكتيب. تتوفر قائمة بأسماء وكلاء التصليح المعتمدين من بلاك وديكر، كما تتوفر تفاصيل كاملة عن خدمات ما بعد البيع وعناوين الاتصال على شبكة الإنترنت :

www.2helpU.com

- بمجرد انتهاء الوقت سيتوقف الفرن عن العمل وستطلق صفارة.
- يجب فحص الطعام قبل ٥-١٠ دقائق من وقت اكتمال الطهي المتوقع.

### التنظيف والصيانة

#### تنظيف الفرن

**تحذير!** لا قبل تنظيف الفرن من الداخل أو الخارج، أطفئ الفرن وانزع القابس من فتحة الكهرباء ودعه يبرد.

**تحذير!** لا تستخدم مذيبات أو أي نوع من مواد التنظيف أو لبدات التنظيف إلا التي ينصح بها هذا الدليل.

**تحذير!** لا تستخدم آلة التنظيف بالبخار لتنظيف هذا الجهاز.

**تحذير!** لا تلمس ملف التسخين، ولا حتى لتنظيفه

- نظف الفرن من الداخل والخارج باستخدام قطعة قماش مبللة. يجب أن يكون الفرن جافاً تماماً قبل تشغيله.
- أفضل طريقة للحفاظ على نظافة الفرن هي مسح ما ينسكب من سوائل أو فتات بعد كل استخدام.
- الرف (٧) والصينية (٨) هما فقط اللذين يمكن غسلهما داخل غسالة الأطباق.

### الباب الزجاجي

**تحذير!** لا تستخدم بخاخات تنظيف الزجاج لتنظيف الباب الزجاجي (٢).


- نظف الباب الزجاجي (٢) بقطعة قماش مبللة بماء وصابون. جفف الباب جيداً قبل التشغيل.


### الرف، صينية الفتات، وصينية الطعام


- افتح الباب الزجاجي (٢)، أخرج صينية الطعام (٨) وأخرج الرف (٧) وصينية الفتات (٩) من الفرن.
- امسح ما انسكب من سوائل وما سقط من فتات بقطعة قماش مبللة قليلاً.
- امسح صينية الفتات (٩) بقطعة قماش مبللة. جففها جيداً قبل تشغيل الفرن.

## نصائح للخبز

## المشواة (TRO55، TRO50، TRO2000R &amp; TRO60)

شواية مزودة بدارة كهربائية علوية 

شواية مزودة بدارة كهربائية سفلية 

شواية مزودة بدارة كهربائية علوية وأخرى سفلية 

## التجميع

• ادخل الطرف المسنن من سيخ المشواة (١٠) في شوكة واحدة (١١) مع التأكد من أن أسنان الشوكة (١١) تقابل نفس اتجاه الطرف المسنن من اللسان.

• حرك الشوكة (١١) في اتجاه القطاع المربع من اللسان وثبتها في مكانها بواسطة المسمار اللولبي.

• ضع اللسان في وسط الطعام المراد طهوه.

• ضع الشوكة الثانية (١١) على الجانب الآخر من اللسان بحيث تمر الشوكتان في الطعام، وتأكد من أن اللسان يمر في منتصف الطعام المراد طهوه.

• ثبته في مكانه بواسطة المسمار اللولبي.

• عند الحاجة، يمكن تسخين الفرن على النحو المذكور في وصفة الطهي.

• ادخل الطرف المسنن من اللسان بمقبس التوجيه الموجود على الجانب الأيمن من جدار الفرن، وتأكد من استقرار مربع اللسان على دعامة الجانب الأيسر من جدار الفرن.

تشغيل المشواة مع الحمل الحراري (TRO50، TRO55، TRO60) 

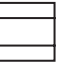
• ضع صينية الطعام (٨) في قاع الفرن أسفل الطعام الذي يتم طهيها مباشرة.

• اضبط وحدة التحكم في الحرارة (٣) على الوضع مرتفع.

• تتيح لك وحدة اختيار الوظائف (٦) استخدام العناصر العليا أو السفلى أو كليهما مع مروحة الحمل الحراري.

• اضبط جهاز ضبط الوقت (٤) على زمن الطهي المطلوب، إذا كان الزمن أقل من ١٠ دقائق، اضبط على ١٠ دقائق ثم أعد المفتاح إلى الزمن المطلوب. الفرن يبدأ في التسخين بمجرد لف مفتاح ضبط الوقت.

• كما هو الحال مع الأفران العادية، تحتاج الأطباق المجمدة إلى المزيد من وقت الطهي عن الأطباق مذابة الثلج، يتم تغطية أعلى الأطباق المجمدة برفق برفاقة من الألومونيوم وكشف الطبق آخر ٥ أو ١٠ دقائق للمساعدة على عملية الطهي حتى الاسمرار، ويجب التأكد من أن الرفاقة لا تلمس عوامل الطهي.

الطهي حتى الاسمرار (العناصر العليا والسفلى) (TRO2000، TRO2000R، TRO50، TRO55، TRO60) 

• لا تقم بتسخين الفرن أولاً.

• استخدم دائماً الرف (٧) وصينية الطعام (٨) الموجودتين.

• ضع الرف (٧) في أي من الأوضاع المتاحة.

• ضع الطعام على الرف (٧).

• أغلق الباب الزجاجي (٢).

• اضبط وحدة اختيار الوظائف (٦) على وضع العناصر العليا والسفلى.

• اضبط وحدة التحكم في الحرارة (٣) على درجة الحرارة المطلوبة.

• اضبط جهاز ضبط الوقت (٤) على زمن الطهي المطلوب، إذا كان الزمن أقل من ١٠ دقائق، اضبط على ١٠ دقائق ثم أعد المفتاح إلى الزمن المطلوب. الفرن يبدأ في التسخين بمجرد لف مفتاح ضبط الوقت.

• بمجرد انتهاء الوقت سيتوقف الفرن عن العمل وستطلق صفارة.

• اطه الطعام بعناية وأخرجه عند الانتهاء من الطهي والاسمرار إلى الدرجة المطلوبة.

الشواء مع الحمل الحراري (TRO50، TRO55، TRO60) 

الشواء مع الحمل الحراري مماثلاً "للشواء"، وإن كان الطهي يتم بشكل أسرع نتيجة للنقل الحراري، لهذا قم بتقليل وقت الطهي للملائمة.

## التشغيل

تحتوي وحدة اختيار الوظائف (٦) على الجهاز على الرموز التالية:

إيقاف

العناصر العليا تعمل (عند التحميص)  
(TRO2000 & TRO2000R فقط).



تحميص مع نقل حراري  
(TRO50, TRO60 & TRO55).



العناصر السفلى تعمل (عند الخبز)  
(TRO2000 & TRO2000R فقط).



الشواء (العناصر العليا والسفلى)  
(TRO2000, TRO2000R, TRO50, TRO60 & TRO55).



شواء مع نقل حراري  
(TRO50, TRO60 & TRO55).



العناصر العليا والمشواة تعمل  
(TRO2000R, TRO50, TRO55 & TRO60).



المشواة مع نقل حراري والعناصر العليا والسفلى  
(TRO50, TRO60 & TRO55).



شواية مزودة بدارة كهربائية سفلية



شواية مزودة بدارة كهربائية علوية وأخرى سفلية



## أوضاع الصينية

• ضع الصينية في الوضع العلوي للحصول على طعام نضج ذهبي الوجه بسرعة، لكن يجب ألا تقل المسافة بين سطح الطعام وعناصر التسخين عن ٢,٥ سم. ضع صينية الطعام في الوضع السفلي عندما ترغب في طهي الطعام لمدة أطول أو عند الرغبة في الحصول على لون فاتح للطعام.

• لا تغطي الرف (٧) بورق الألمنيوم لأنه يمنع السوائل والدهون من السقوط على الصينية (٨) وقد يتسبب في زيادة التسخين داخل الفرن.

• افتح الباب الزجاجي (٢) بالكامل لجذب الرف (٧). استخدم قفازاً لتحمي يدك من الحروق.

التحميص (العناصر العليا فقط)  
(TRO2000 & TRO2000R)  
(فقط)



• ضع الرف (٧) في أي من الأوضاع المتاحة.

- ضع الخبز على الرف (٧).
- اضبط وحدة اختيار الوظائف (٦) على وضع العنصر العلوي فقط.
- اضبط وحدة التحكم في الحرارة (٢) على درجة الحرارة المطلوبة.
- اضبط جهاز ضبط الوقت حسب الوقت المطلوب، إذا كان الزمن أقل من ١٠ دقائق، اضبط على ١٠ دقائق ثم أعد المفتاح إلى الزمن المطلوب. الفرن يبدأ في التسخين بمجرد لف مفتاح ضبط الوقت.
- بمجرد انتهاء الوقت سيتوقف الفرن عن العمل وستطلق صفارة.
- يمكن تكون بخار الماء على السطح الداخلي للباب الزجاجي (٢) في حالة وضع الخبز المبلل أو الطازج. هذا أمر عادي وسيختلف الأمر باختلاف نوع الخبز الذي تقوم بتحميمه.

التحميص مع النقل الحراري (TRO50)  
(TRO60 & TRO55)



يُعتبر التحميص مع النقل الحراري مماثلاً "للتحميص"، وإن كان الطهي يتم بشكل أسرع نتيجة للنقل الحراري، لهذا قم بتقليل وقت الطهي للملائمة.

الخبز (العنصر السفلي فقط)  
(TRO2000 & TRO2000R فقط)



- ضع الرف (٧) في أي من الأوضاع المتاحة.
- ضع الطعام على الرف (٧).
- أغلق الباب الزجاجي (٢).
- اضبط وحدة اختيار الوظائف (٦) على وضع العنصر السفلي فقط.
- اضبط وحدة التحكم في الحرارة (٢) على درجة الحرارة المطلوبة.
- اضبط جهاز ضبط الوقت (٤) على زمن الخبز المطلوب.
- اضبط جهاز ضبط الوقت حسب الوقت المطلوب، إذا كان الزمن أقل من ١٠ دقائق، اضبط على ١٠ دقائق ثم أعد المفتاح إلى الزمن المطلوب. الفرن يبدأ في التسخين بمجرد لف مفتاح ضبط الوقت.
- بمجرد انتهاء الوقت سيتوقف الفرن عن العمل وستطلق صفارة.

## لا تضع أبدا هذا الأشياء داخل الفرن

- العبوات محكمة الغلق مثل العلب أو أوعية الأطعمة المعدنية محكمة الغلق.
- الأغطية الزجاجية على أواني الطهي من المعدن أو الزجاج.
- الأغلفة البلاستيكية والأغطية المصنوعة من الكرتون.
- الأوعية التي يزيد حجمها عن الحجم الموصى به (الأوعية الأكبر أو الأكثر ارتفاعا سنؤثر على دورة الهواء).
- الأوعية المبيّن عليها أنها لا تصلح للاستخدام داخل الأفران.
- يمكن استخدام الأوعية المصنوعة من المعدن والزجاج الحراري، والخزف الزجاجي داخل الفرن.
- اتبع تعليمات المصنع عند استخدام الزجاج الحراري والخزف داخل الفرن. عند استخدام الزجاج الحراري أو الخزف الزجاجي داخل الفرن تأكد من أن تكون حافة الإناء على مسافة ٢,٥ سم على الأقل من ملف التسخين العلوي.
- عادة ما تكون الأطعمة المجمدة سابقة التجهيز محفوظة في أوعية غير معدنية مناسبة للاستخدام داخل الميكروويف والأفران العادية. راجع التعليمات على عبوة الطعام للتحقق من أنها ملائمة للاستخدام داخل الأفران العادية.

## السلامة من مخاطر الكهرباء

- عند استخدام تلك الحاويات في الفرن، تأكد دائما من أن تقوم بتسخين الفرن يسخن لمدة خمس دقائق قبل ن تضع عبوة الطعام به.
- انزع الأغلفة البلاستيكية و الورقية التي تكون معدة للاستخدام داخل الميكروويف فقط.
- ضع وعاء الطعام على الصينية (V) واتركه داخل الفرن للمدة المطلوبة أو حتى تمام التسخين.
- لا تستخدم هذه الأوعية للطهي أو إعطاء وجه الطعام لونا ذهبيا
- يجب توصيل هذا المنتج بالأرضي. تحقق دائما من أن فولت مصدر الكهرباء مماثل للفولت المطلوب المبيّن على الجهاز.
- يجب أن يكون القابس مناسباً لفتحة الكهرباء. لا تجري أي تعديلات من أي نوع على القابس. لا تستخدم مكيف القابس مع الأجهزة المتصلة بالأرضي (من الفئة ١). عدم تعديل القابس واستخدام فتحات الكهرباء المناسبة يحد من مخاطر الصدمات الكهربائية.

## كابلات الإطالة والأجهزة من الفئة ١

- يجب استخدام كابلات إطالة ذي قلب ثلاثي لأن الجهاز به خط للأرضي وهو جهاز من الفئة ١. يمكن استخدام سلك طوله ٣٠ مترا (١٠٠ قدم) دون حدوث فقد في الطاقة.
- بعد التنظيف، يمكن دهن الصينية (V) بالزبد أو السمن.

## الاستخدام

## تعليمات الأمان الخاصة بالأفران الكهربائية

تنبيه! ترتفع درجة حرارة الأجزاء الخارجية أثناء تشغيل الجهاز. يجب عدم اقتراب الأطفال.

ستجد هذه الرموز على جهازك



تعني سطحنا ساخن

## بعد الاستخدام

- أطفئ الجهاز وانزع القابس من فتحة الكهرباء قبل ترك الجهاز وقبل تنظيف الجهاز أو فحص أي من أجزائه.
- عند عدم استخدام الجهاز يجب تخزينه في مكان جاف.
- يجب حفظ جميع الأجهزة بعيدا عن متناول الأطفال.

## الفحص والإصلاح

- قبل الاستخدام، يجب فحص الجهاز للتحقق من عدم وجود أجزاء مكسورة أو تالفة. تأكد من عدم وجود كسور في الأجزاء، أو وجود تلف في الأزرار أو أي عيب قد يؤثر على تشغيل الجهاز.
- لا تستخدم الجهاز إذا وجدت فيه أي عيب أو تلف.
- يجب أن تقوم جهة مرخصة بإصلاح الأجزاء المكسورة أو التالفة.
- قبل الاستخدام، تحقق من عدم وجود أجزاء تالفة أو بالية في السلك.
- لا تستخدم الجهاز في حالة وجود عيب أو تلف في القابس أو السلك.
- إذا تلف السلك، يجب أن يتم استبداله عن طريق جهة تصنيعه أو وكيلها أو أي جهة مؤهلة لتجنب حدوث مخاطر.
- لا تحاول استبدال أو تغيير أي أجزاء غير المنصوص عليها في هذا الدليل



## التعرف على أجزاء الجهاز

١ دعامات الأرفف

٢ الباب الزجاجي

٣ وحدة التحكم في الحرارة

٤ جهاز ضبط الوقت

٥ مصباح للدلالة على وصول الطاقة

٦ وحدة اختيار الوظائف

٧ الرف

٨ صينية الطعام

٩ صينية كسرات الخبز (TRO50، TRO60 & TRO55)

١٠ سيخ المشواة

١١ شوكات المشواة

١٢ مقبض المشواة.

١٣ مقبض صينية الطعام.

## الاستخدام المحدد

تم تصميم فرن التخميص بلاك آند ديكر لأغراض التخميص والخبز، ولا يجب استخدامه لأي أغراض أو استخدامات أخرى، صمم هذا الجهاز للاستخدام المنزلي فقط.

## تعليمات السلامة

**تحذير!** عند استخدام الأجهزة التي تعمل بموصلات

رئيسية، يجب اتخاذ احتياطات الأمان الأساسية، بما فيها الاحتياطات التالية، للحد من مخاطر الحريق، والصدمات الكهربائية، والإصابات، والخسائر المادية.

اقرأ هذا الدليل بالكامل بعناية قبل تشغيل الجهاز



- يحدد هذا الدليل الاستخدام المصمم للجهاز له. استخدام أي قطع كمالية أو ملحقة غير الموجودة مع الجهاز أو استخدام الجهاز في غرض غير المنصوص عليه في هذا الدليل قد يشكل خطراً أو يؤدي إلى حدوث إصابة.

- احتفظ بهذا الدليل للرجوع إليه عند الحاجة.

## استخدام الجهاز

- تأكد من أن الجهاز مطفأً قبل توصيل الكهرباء له أو قطعها عنه.

- استخدام الجهاز بحذر دائماً.

- لا تستخدم الجهاز خارج المنزل.

- لا تجذب السلك لفصل القابض من فتحة الكهرباء. إحتفظ السلك بعيداً عن الحرارة والزيوت والحواف العادية.

- إذا حدث تلف للسلك أثناء التشغيل، قم بفصل القابض من فتحة الكهرباء فوراً ولا تلمس السلك قبل نزع القابض من فتحة الكهرباء.

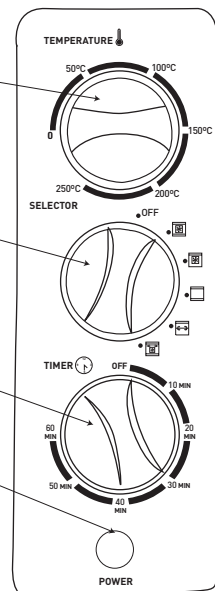
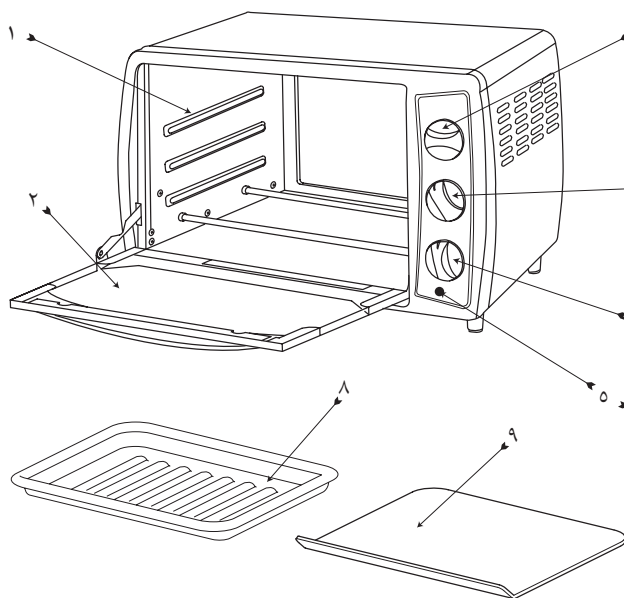
- افصل الجهاز عن الكهرباء في حالة عدم تشغيله، وقبل إجراء أي صيانة، وقبل تركيب أو فك أي قطعة، وقبل التنظيف.

## سلامة الآخرين

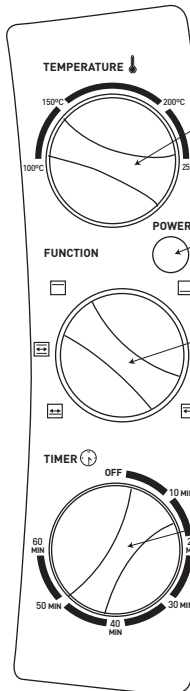
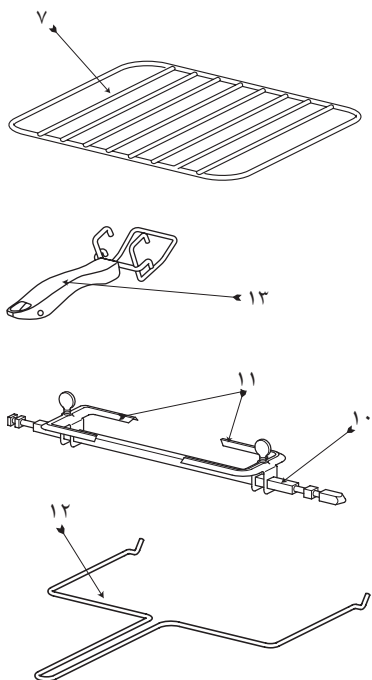
- هذا الجهاز غير مصمم للاستخدام من قبل أشخاص (بما في ذلك الأطفال) يعانون من نقص في القدرات البدنية أو الحسية أو العقلية أو تتقصهم الخبرة أو المعلومات إلا تحت إشراف أو بتعليمات من الشخص المسئول عن سلامتهم.

- يجب التأكد من عدم قيام الأطفال باللعب بالجهاز.

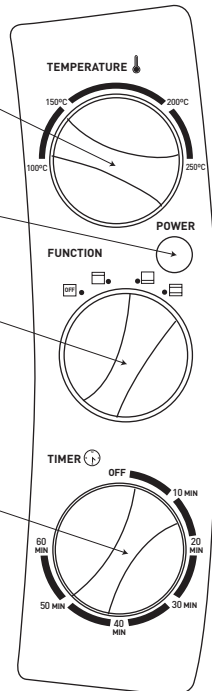
- لا تسمح للأطفال أو لأي شخص لا يعرف تعليمات التشغيل باستخدام الجهاز.



TRO50, TRO55 & TRO60



TRO2000R



TRO2000

## إرشادات هامة

هناك احتياطات سلامة يجب اتباعها أثناء استخدام الأجهزة الكهربائية لتقليل من خطر الحريق والصدمة الكهربائية و/أو إصابة الأشخاص وتشمل هذه الاحتياطات ما يلي:

- قراءة كل هذه التعليمات بعناية حتى ولو كنت على دراية باستخدام الجهاز
- لا تغمر الجهاز أو مجموعة الأسلاك أو القابس في الماء أو السوائل الأخرى حتى لا تتعرض لصدمة كهربائية.
- استخدم قطعة قماش مبللة لتنظيف ومسح الجزء الخارجي من الجهاز
- راقب الأطفال عن كثب عند استخدام الجهاز بالقرب منهم. لا تترك الجهاز دون مراقبة أثناء استخدامه.
- في حالة تلف سلك الطاقة، يرجى الاستعانة بمصنع الجهاز أو وكيل الخدمة المعتمد أو أي فني على نفس درجة التأهيل لاستبدال السلك التالف وذلك لتجنب أي مخاطر ممكنة
- قم بفصل الجهاز وانزع القابس من مأخذ التيار أثناء عدم الاستخدام أو قبل تركيب أو فك أجزائه أو تنظيف أو إجراء صيانة للجهاز. لا تشد السلك لنزع القابس من مأخذ التيار.
- لا تشغل الجهاز بسلك أو قابس تالف، يجب الاستعانة بمركز الخدمة المعتمد لمعاينة الجهاز أو إصلاحه كهربائياً أو ميكانيكياً لتجنب أي خطر.
- قد تترتب مخاطر الحريق أو الصدمة الكهربائية أو إصابة الأفراد على استخدام الملحقات الثانوية التي لم يوصي بها منتج الجهاز أو يبيعهها.
- لا تدع السلك يتدلى فوق حافة المنضدة أو يلامس أسطحاً ساخنة.
- تجنب ملامسة الأسطح الساخنة مع مراعاة استخدام المقابض
- لا تضع الجهاز أو أي جزء من أجزائه على أسطح ساخنة (مثل فرن غاز أو فرن كهربائي ساخن أو في فرن تم إحمائه) أو بالقرب منها.
- لا تسئ استخدام السلك. ولا تحمل الجهاز أبداً عن طريق السلك أو شده لفصله من مأخذ التيار. اقبض على القابس دائماً واسحبه لفصله.
- في حالة استخدام سلك تمديد، يرجى التأكد من توصيله بشكل سليم وأنه صالح للاستخدام مع هذا الجهاز
- هذا الجهاز معد للاستخدام المنزلي فقط
- لا تحاول إصلاح الجهاز بنفسك. وبدلاً من ذلك، استعن بأقرب مركز خدمة تابع أو معتمد من شركة بلاك أند ديكر لإصلاح الجهاز

احتفظ بهذه التعليمات

## Names & Addresses for Black & Decker Service Concessionaries

**Afghanistan:** Ishan National Co., Opp. Ministry of Justice, Kabul. Tel.: +93-2-2101727. **Algeria:** SARL Outillage Corporation, 04 Route De Dely Brahim Cheraga, Alger. Tel.: +213-21-364363/508, Fax: +213-21-369667. **Bahrain:** Fawaz Al Zayani, P.O.Box 26563, Adliya, Manama. Tel.: +973-17-715252/712756, Fax: +973-17-713789. **Bangladesh:** Ultra Corporation, 8, Kushol Centre, Uttara, Dhaka 1230. Tel.: +880-2-8919272/9756 Ext.28, Fax: +880-2-9887167. **Egypt:** Anasia Egypt for Trading S. A. E., P.O.Box 2443, 110 Mostafa Refaat Street, Sheraton Heliopolis 11361, Cairo. Tel.: +20-2-2684159, Fax: +20-2-2684169. **Ethiopia:** Tewfik Sherif & Co. Ltd., P.O.Box 5583, Debre Zeit Road, Addis Ababa. Tel.: +251-1-651700/601, Fax: +251-1-650570. **India:** Gryphon Impex Pvt. Ltd., D-6/4, Okhla Industrial Area, Phase-I, New Delhi-110020. Tel.: +91-11-26372602-4, Fax: +91-11-26372601. **Iran:** Tehran - Service Centre of Iran, No 510, South Karger Ave, Below Pasteur Sq. Tehran. Tel.: +98-21-6490608/0656/6407672. **Kish Island:** Cayhan Electric Co., No. 69, Paradise Shopping Centre, Kish Island. Tel.: +98-76444-22894. **Jordan:** Bashiti Hardware, P.O.Box 1564, TLA Ali, Amman. Tel.: +962-6-5350009/4770741, Fax: +962-6-5350012/4789783. **Kenya:** Zylgo Enterprises, IPS Building, Kuanda Street, P.O.Box 40877, Nairobi. Tel.: +254-2-338188/199, Fax: +254-2-330642. **Kuwait:** Al Omar Technical Co., P.O.Box 4062, 13041 Safat, Kuwait. Tel.: +965-4848595/0039, Fax: +965-4845652. **Lebanon:** Est. F.A. Kettaneh SA, P.O.Box 110242, Dora Highway, Kettaneh Building, Beirut. Tel.: +961-1-255860/6, Fax: +961-1-255891. **Libya:** El Ghoul Brothers, P.O.Box 348, Islamic Call Bldg., Office 201-202, Benghazi. Tel.: +218-61-9097681/4183, Fax: +218-61-9094123. **Madagascar:** Group Tana Confort S. A. R. L., B. P. 1770, Antananarivo. Tel.: +261-20-2264505, Fax: +261-20-2264244. **Malta:** John G. Cassar Ltd., 36 Victory Str, Qormi QRM 06, Malta. Tel.: +356-21-493251, Fax: +356-21-483231. **Mauritius:** Happy World Marketing Ltd., Block 2, Industrial Estate, Coromandel, P.O.Box 429, Port Louis. Tel.: +230-2076700, Fax: +230-2337330/7400. **Nepal:** Universal Trading Centre, P.O.Box 1947, Tripureswor, Kathmandu. Tel.: +977-1-262192/260587/785, Fax: 261154. **Nigeria:** Amin Bros. Eng. Co. Ltd., 30A (Plot 1291), Akin Adesola Street, Victoria Island, Lagos. Tel.: +234-1-3201778, Fax: +234-1-2613667. **Oman:** Oman Mktg. & Service Co., P.O.Box 2734, Ruwi, Muscat. Tel.: +968-560232, Fax: +968-560255. **Pakistan:** Karachi - Ammar Service & Spares, 60, Bank Arcade, Serai Road, Karachi. Tel.: +92-21-2426905, Fax: 2427214/5243. **Pakistan:** Lahore - Electronics Inn, 212-G Raja Centre, Main Market, Gulberg, Lahore. Tel.: +92-42-5756750. **Philippines:** Modern House International Enterprises, 213 Rizal Ave. Extension, between 2nd and 3rd Ave. Kalookan City. Tel.: +632 366-4487, Fax: +632 366-4489. **Qatar:** Al Muffah Trading & Cont., P.O.Box 875, Doha. Tel.: +974-4650880/4446868, Fax: +974-4441415. **Saudi Arabia:** Dammam - Ebrahim Fawaz Al Zayani, P.O.Box 76026, Al Raka, Dammam. Tel.: +966-3-8140914, Fax: +966-3-8140824. **Jeddah:** Anasia Trading Co. Ltd. Caravan Shopping Centre, Hail Street. P. O. Box 50959, Jeddah-21477, Tel. 02 650 0948/02 636 3825, Fax 02 638 0720. **Madina:** Garziz Trdg. for Bldg. Mat.&Decor., P.O.Box 3364, Madina. Tel.: +966-4-8261490/8227636, Fax: +966-4-8265741. **Riyadh:** Anasia Trading Co Ltd. New Akaria Building, 60th St., 3rd Floor, Building # 4, Office # 3402, Malaz. P. O. Box. 18689, Riyadh-11425, Tel.: 01 478 2549, Fax: 01 478 2761. **Yanbu:** Bin Afif, P.O.Box 530 Yanbu, Al Bahr. Tel.: +966-4-3222626/8867, Fax: +966-4-3222210. **Sri Lanka:** Delmege Gen. Equip. Pvt. Ltd., No. 428/1AT. B., Jaya Mawatha (Darley Road), Colombo-10. Tel.: +94-11-2665914, Fax: +94-11-2665915. **Sudan:** United Distribution Company, P.O.Box 325, Sayed Abdul Rehman Street, Khartoum. Tel.: +249-11-772612/777296, Fax: +249-11-770919. **Tanzania:** General Motors Investment, P. O Box 16541, 14 Vingunguti Nyerere Road, Dar Es Salaam. Tel.: +255-22-2862661/5022, Fax: +255-22-2862667/5412/3. **Tunisia:** STE Tunisienne De Quincaillerie Stq., Nvelle Z.I 2013, Ben Arous, Tunis, Tunisia, Tel: +216 71386102, Fax: +216 71380412. **UAE:** Abu Dhabi - Light House Electric., P.O.Box 120, Abu Dhabi. Tel.: +971-2-6726131, Fax: +971-2-6720667. Dubai - Black & Decker (O) A.G., P.O.Box 5420, Dubai. Tel.: +971-4-7028234/233, Fax: +971-4-2822765. Ideal Mach. & Equipt. R. W/shop P.O.Box 37116, Al Quoz, Dubai. Tel.: +971-4-3474160, Fax: +971-4-3474157. Sharjah - McCoy Middle East LLC, P.O.Box 20228, Sharjah. Tel.: +971-6-5336321, Fax: +971-6-5336320. **Uganda:** The Building Centre, Kitgum House, 52 Station Road, P.O.Box 7436, Kampala. Tel.: +256-41-234567, Fax: +256-41-236413. **Yemen:** Aden - Middle East Trad. Co. Ltd., Mulla Dakka, Aden. Tel.: +967-2-240950, Fax: +967-2-240952. **Sana'a:** Middle East Trad. Co. Ltd., P.O.Box 12363, Hayel Street, Sana'a. Tel.: +967-1-204201, Fax: +967-1-204204. **Taiz:** Middle East Trad. Co. Ltd., Campa area near Al-Kair mosque, Taiz. Tel.: +967-4-231610/232033, Fax: +967-4-219869. **Zimbabwe:** J.D.Distributors, P.O.Box 226, 17 Bessemer Road, Graniteside, Harare. Tel.: +263-4-753913-7, Fax: 753918. **Cyprus:** G. Kyprianou Trading Co Ltd., 51 Prodromou AVE. Strovolos, 1681, P.O. Box 23318 Nicosia Cyprus. Tel.: 00357 22 468170/1, Fax: 00357 22 468186, Email gktttd@spidernet.com.cy



WARRANTY REGISTRATION CARD

YOUR NAME/ الاسم .....

.....

YOUR ADDRESS العنوان .....

.....

.....

POSTCODE الرمز البريدي .....

DATE OF PURCHASE تاريخ الشراء .....

DEALER'S NAME & ADDRESS/ إسم و عنوان البائع .....

.....

.....

A large, empty rounded rectangular box intended for a signature or stamp.

PRODUCT MODEL NO. TRO2000/TRO2000R/TRO50/TRO55/TRO60

