

0 601 27A 3F0 – GBG 35-15

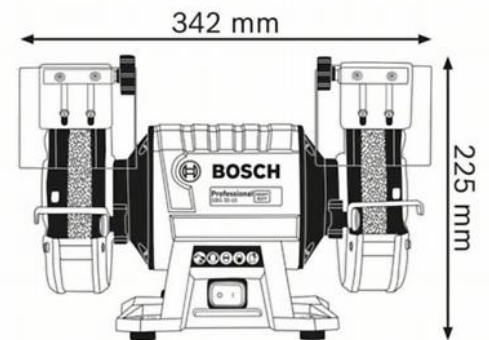
| | |
|--------------------------------------|---------------|
| Material number | 0 601 27A 3F0 |
| EAN | 3165140893398 |
| Grinding wheel, normal grit, grit 24 | ✓ |
| Grinding wheel, normal grit, grit 60 | ✓ |



Technical data

Technical data

| | |
|--------------------------|-----------|
| Grinding wheel diameter | 150 mm |
| No-load speed | 3.000 rpm |
| Grinding wheel widths | 20 mm |
| Grinding wheel bore | 20 mm |
| Grit | 24 60 |
| Rated input power | 350 W |
| Weight | 10,0 kg |
| Tool dimensions (width) | 175 mm |
| Tool dimensions (length) | 325 mm |
| Tool dimensions (height) | 200 mm |



Noise/vibration information

| | |
|----------------------|----------|
| Sound pressure level | 70 dB(A) |
| Sound power level | 80 dB(A) |
| Uncertainty K | 3 dB |

Segment

| | |
|-----------------|---------------------------|
| Segments | Benchtop Heavy Duty Range |
| Mailing segment | Metal |

Sales information

Positioning

- The powerful and sturdy tool for toughest applications

User benefit

- Powerful induction motor for various working conditions and usages
- Compact die-cast housing with encapsulated ball bearings to keep the motor free of dust
- Robust and solid base for longevity and stable working conditions