

Technical data

Additional data

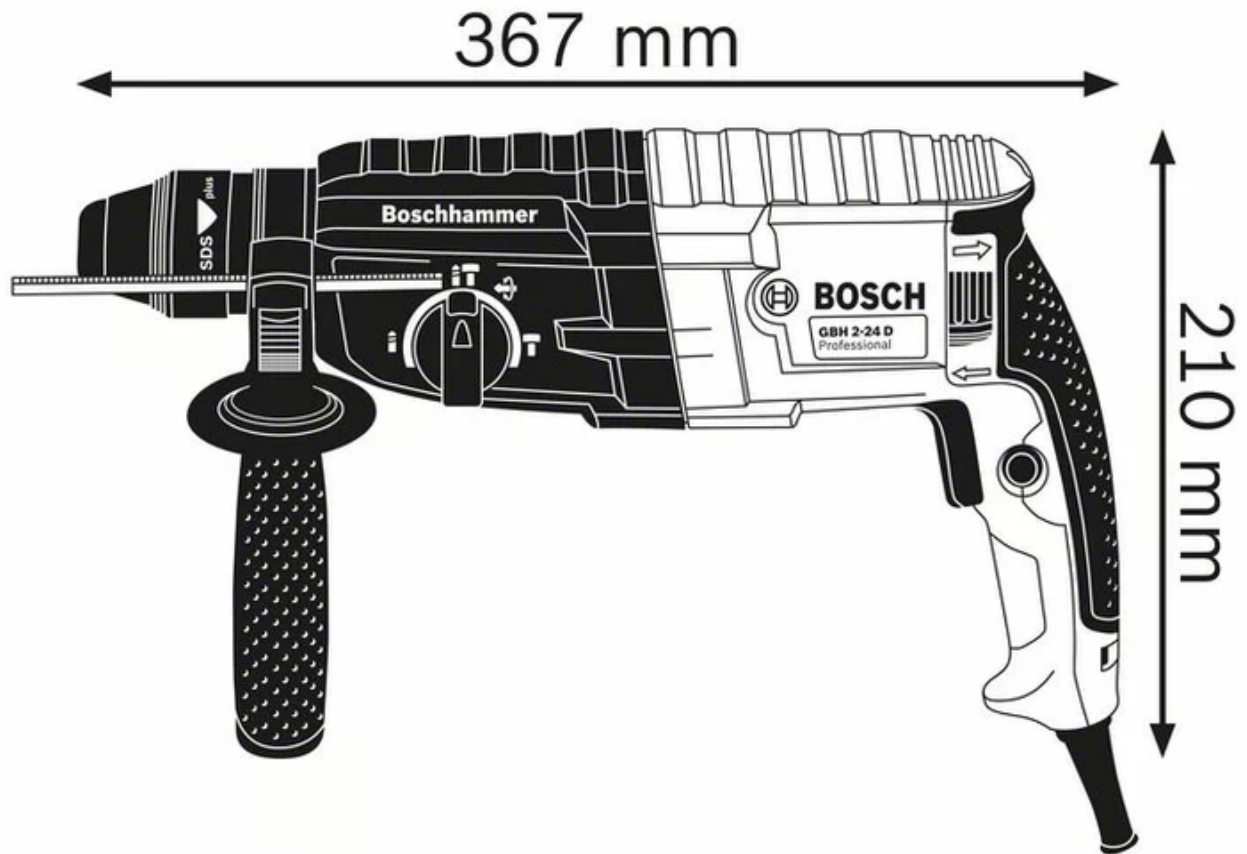
Rated input power*	790 W
Impact energy*	2.7 J
Impact rate at rated speed	0 – 4,200 bpm
Rated speed	0 – 930 rpm
Weight*	2.8 kg
Tool dimensions (length)	367 mm
Tool dimensions (height)	210 mm
Tool holder	SDS plus

Drilling range

Max. drilling diameter masonry, core cutters	68 mm
Max. drilling diameter in metal	13 mm
Max. drilling diameter in wood	30 mm

* Highlighted Data

The A-rated noise level of the power tool is typically as follows: Sound pressure level dB(A); Sound power level dB(A). Uncertainty K= dB.



Advantages

The new standard in concrete drilling!

Best drilling speed in class due to optimized gear housing set

Enhanced durability and hard work due to powerful 790 W motor

Spare parts interchangeability and easy maintenance because of smart design

Functions

What's Included in this Package



in carrying case

Order number: 0 611 272 1K0

Carrying case