

# Technical data

## Additional data

<b>Rated input power*</b>	<b>920 W</b>
<b>Torque, max. (hard screwdriving applications)*</b>	<b>1,000 Nm</b>
Torque, max. (soft screwdriving applications)	500 Nm
Bit holder	1" external square
Rated speed	860 rpm
Weight	7.3 kg
Tool dimensions (length)	431 mm
Tool dimensions (height)	436 mm

## Screwdriving

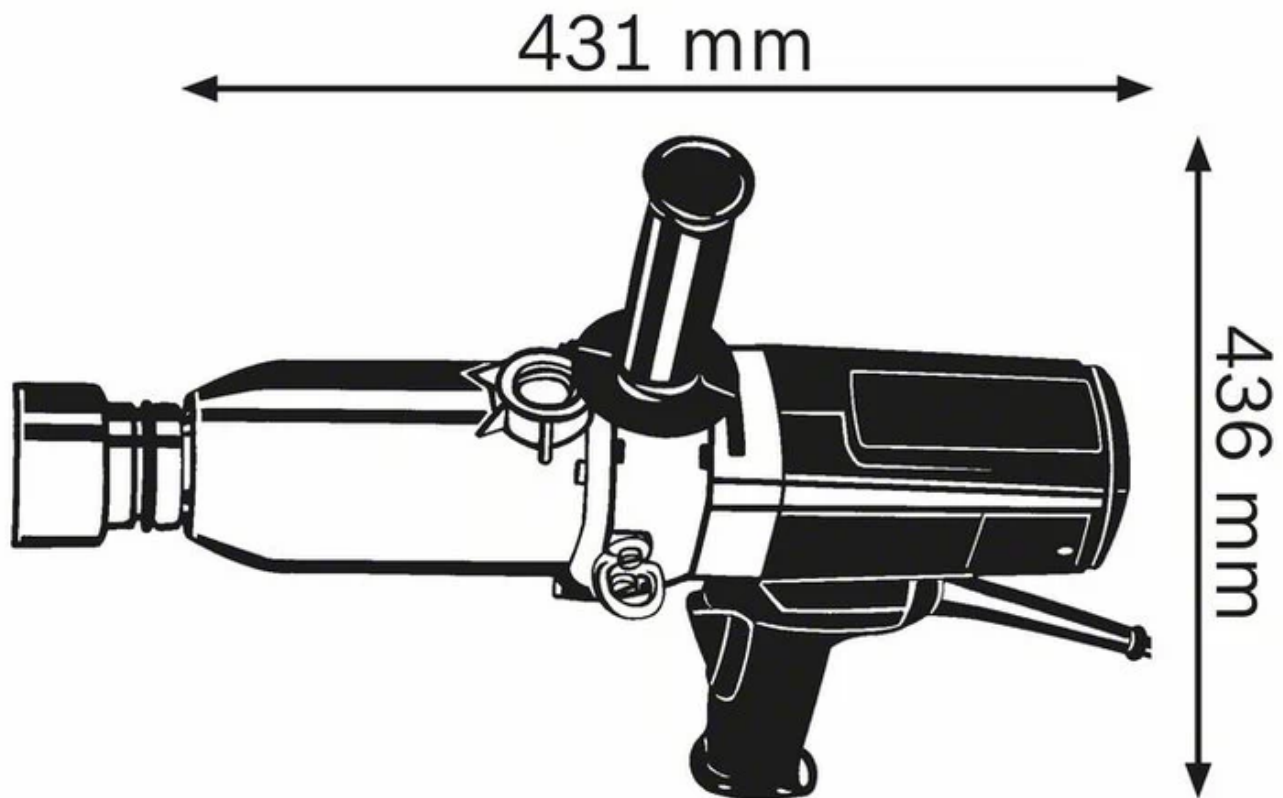
<b>Screw diameter*</b>	<b>max. M 30</b>
------------------------	------------------

## Total vibration values (Tightening screws and nuts of maximum permitted size)

Vibration emission value ah	4 m/s <sup>2</sup>
Uncertainty K	0.5 m/s <sup>2</sup>

\* Highlighted Data

The A-rated noise level of the power tool is typically as follows: Sound pressure level dB(A); Sound power level dB(A).  
Uncertainty K= dB.



## Advantages

### The powerful tool for large screwdriving applications

For heavy screw joints on trucks, construction machinery, in commercial vehicle construction, in the petrochemical and other heavy industries

Auxiliary handle with backing pad that can be fitted in two positions for better handling

Hanging hook for attaching to a balancer