

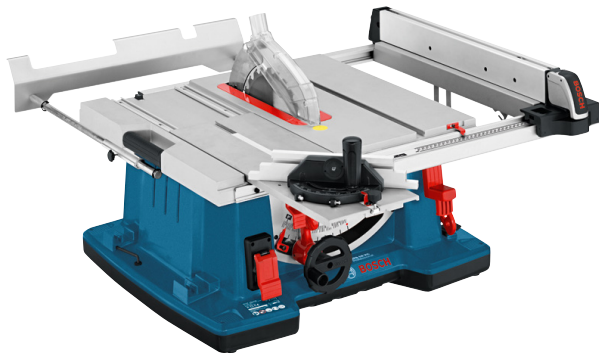


# Product data sheet

Power tools for trade & industry

Table Saw

## GTS 10 XC



Versatile performance table saw

### The most important data

Saw blade diameter	254 mm
Incline setting	47 ° L / 1 ° R
Table size	584 x 759 mm

**Order number** 0 601 B30 440

[> More product information](#)

## Technical data

### Technical data

Table size	584 x 759 mm
No-load speed	3,200 rpm
Saw blade diameter	254 mm
Saw blade bore diameter	30 mm
Incline setting	47 ° L / 1 ° R
Weight	35 kg
Max. cutting capacity on the right	635 mm
Max. cutting capacity on the left	250 mm
Packaging dimensions (width x length x height)	830 x 850 x 415 mm



# Product data sheet

Power tools for trade & industry

---

## Advantages:

- Powerful motor and Constant Speed feature produce the best results even in toughest applications
- Integrated slide carriage, table-widener, and table extension enable expansion for workpieces in a variety of sizes
- Tool-free lowering of riving knife enables quick adjustments for creating concealed cuts

