

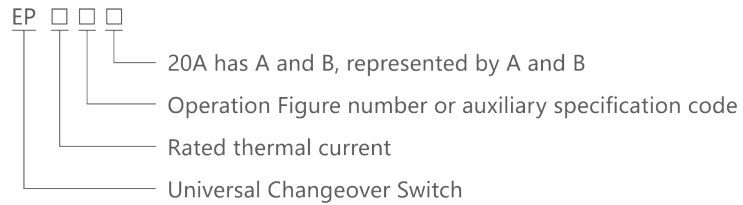


Scope

EP mainly used for electrical equipment cabinets or three-phase asynchronous motor load start shifting and steering, used as the main and auxiliary circuits conversion, can fully replace other switch.



Type Designation



Main Technical Parameters

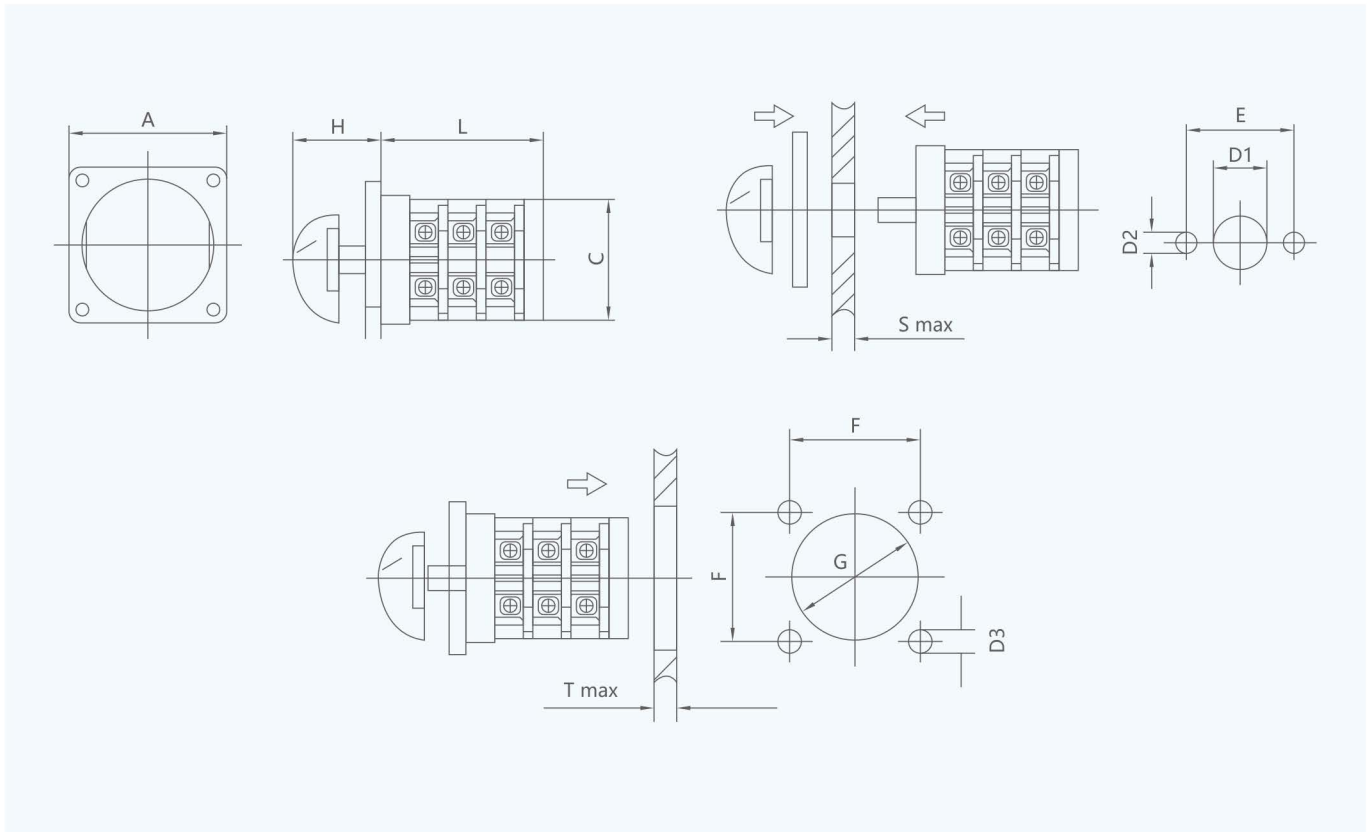
Model specification		EP-20			EP-25			EP-32						
Rated thermal current	A	20			25			32						
Rated operating voltage	V	110	220	440	110	220	440	500	690	110	220	440	500	690
Rated operating current	AC-21A	A	20			25			32					
	AC-22A	A	6			20			32					
	DC-20	A	20			25			32					
Rated control frequency	AC-23A	kW	5		7.5	11		15		11	18.5		22	
	AC-3	kW	4	7.5	5.5	7.5		11		7.5	15		18.5	
	AC-4	kW	22	5.5	2.2	4	4			3	5.5	5.5		
	DC-23	kW	0.77	12	3	2	2.2			2	2.2			



Model specification		EP-50					EP-75					
Rated thermal current	A	25					32					
Rated operating voltage	V	110	220	440	500	690	110	220	440	500	690	
Rated operating current	AC-21A	A	50					75				
	AC-22A	A	40					63				
	DC-20	A	50					75				
Rated control frequency	AC-23A	kW	15	22		30		18.5	30		37	
	AC-3	kW	11	18.5		22		15	22		30	
	AC-4	kW	5.5	7.5	9			7.5	11	15		
	DC-23	kW	3	6				4	8			



Dimensions and Mounting Dimensions



Rated Value Table

Model specifications	Panel Specifications (A)	Dimensions(mm)			Mounting dimensions(mm)							
		C	H	L	E	D1	D2	S	F	G	D3	T
EP-20	□54	φ44	38	25+12n	32	φ9.5	φ3.2	1.5	35	φ45	φ4.5	6
EP-20	□72	φ44	38	25+12n	32	φ9.5	φ3.2	1.5	58	φ45	φ4.5	6
EP-25	□72	φ59	36	23+13n	33	φ9.5	φ3.2	1.5	58	φ64	φ4.5	6
EP-25	□105	φ59	53	23+13n	33	φ9.5	φ3.2	1.5	85	φ64	φ4.5	6
EP-32	□72	φ59	36	23+18n	33	φ9.5	φ3.2	1.5	58	φ64	φ4.5	6
EP-32	□105	φ59	53	23+18n	33	φ9.5	φ3.2	1.5	85	φ64	φ4.5	6
EP-50	□105	φ80	53	34+18n	46	φ13	φ5.3	3	85	φ90	φ5.5	8
EP-75	□105	φ80	53	34+27n	46	φ13	φ5.3	3	85	φ90	φ5.5	8