

Differential pressure switch for air, flue and exhaust gases

LGW A2, LGW A2P

DUNGS®

5.05



Technical description

The differential pressure switches LGW A2, LGW A2P are adjustable differential pressure switches for automatic burner controls.

Suitable for switching a circuit on, off or over on changes in actual pressure value relative to the set reference value. The reference value (switching point) is adjusted on a setting wheel provided with a scale. On LGW A2P: test button integrated in lower part as standard.

Pressure connection on hose gland of LGW A2 or on G 1/8 female thread (-) and/or on G 1/4 tapered female thread (+) of LGW A2P.

To check the higher pressure, a test point integrated on the side of LGW A2P is provided.

Application

Differential pressure monitoring in firing, ventilation and air-conditioning systems. Suitable for air, flue and exhaust gases and other non-aggressive gases as differential pressure switches; not suitable for industrial combustion gases.

Approvals

EU type test approval as per EU Gas Appliance Directive.

LGW A2, A2P CE-0085 AQ 0673

Special designs for the North American market with UL, FM and CSA registrations.

Approvals in other important gas-consuming countries.

Functional description

Differential pressure switch in pressure and vacuum range. The differential pressure acts via the diaphragm against the force of the setting spring on the microswitch. The pressure switch operates without auxiliary power.

LGW A2 differential pressure switch

The control unit responds to differential pressure. If the set reference value (mbar) is exceeded or undershot, the circuit is switched on, off or over.

LGW A2P test button

The LGW A2P differential pressure switch is equipped with a test button. The test button permits a service-friendly check of the safety function. If the test button is pressed, the connection to the **G 1/4** pressure connection is interrupted and the pressure below the diaphragms is relieved. The microswitch of the pressure switch changes the contact position from NO to NC.

If the test button is released, the pressure below the diaphragms is built up again and the microswitch changes to its original position.

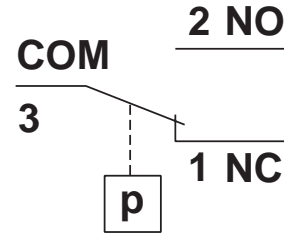
LGW A2, LGW A2P switching function

As pressure rises:

1 NC opens, 2 NO closes

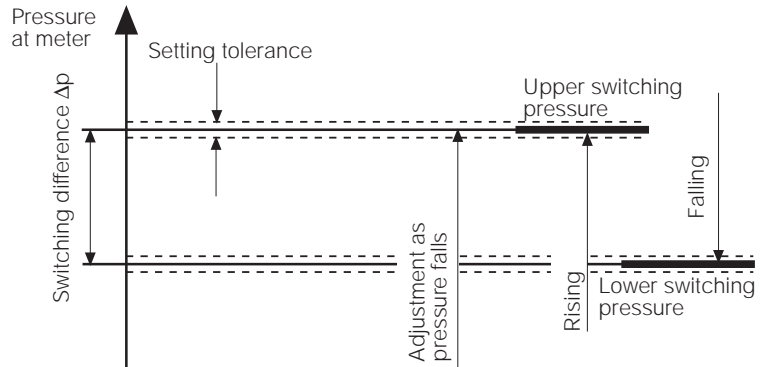
As pressure falls:

1 NC closes, 2 NO opens



Definition of switching difference Δp

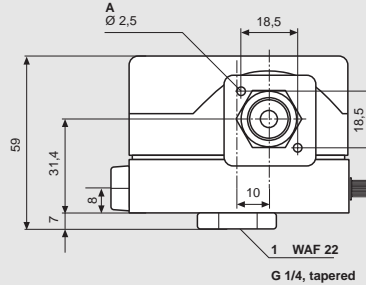
The switching difference Δp is the pressure difference between the upper and lower switching pressures.



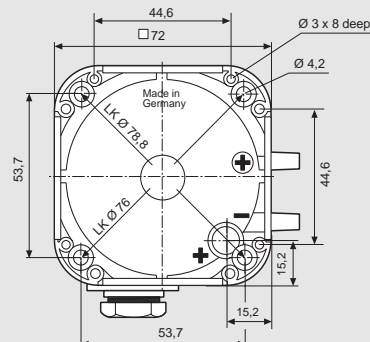
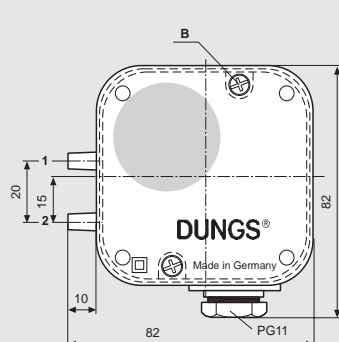
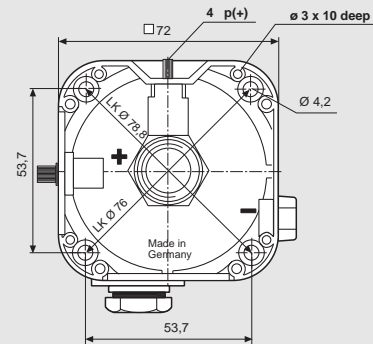
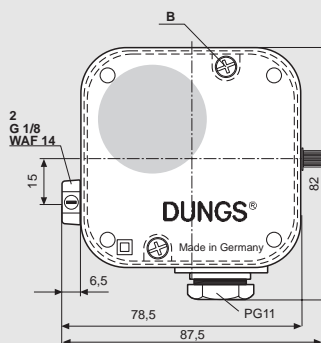
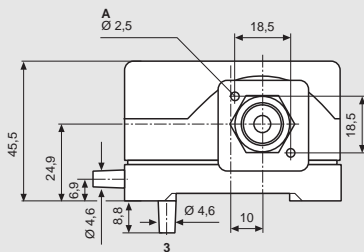
Dimensions [mm] LGW A2

LGW A2P

- A 2.5 dia for equipment plug as per DIN 43 650 A
- B Oblong slot: 0.8 and cross-head as per DIN 7962-Z 2
- 1 Pressure connection (+)
- 2 Pressure connection (-)
- 3 Only LGW... A2 optional pressure connection (+)
- 4 Test button p (+)



Pressure connection (dia.) can only be used as test nipple. Pressure connection only possible using G 1/4.



Specifications

Max. operating pressure	LGW 3 A2 - LGW 150 A2 LGW 3 A2P - LGW 150 A2P	500 mbar (50 kPa) 500 mbar (50 kPa)
Ranges	0.4 - 3 mbar 1 - 10 mbar 2.5 - 50 mbar 30 - 150 mbar	
Pressure connection	LGW A2: 4.6 mm dia. hose gland LGW A2P: G 1/4 tapered female thread for higher pressure on centre of housing underside, including test button; on the side, 4.6 dia. test point and G 1/8 female thread for lower pressure	
Temperature range	Ambient temperature Medium temperature Storage temperature	-15°C to +60°C -15°C to +60°C -30°C to +80°C
Materials	Housing: Switch: Diaphragms: Switching contact:	polycarbonate polycarbonate NBR standard: fine silver (Ag) optional: gold-plated fine silver (AU); suitable for DDC applications: 24 V DC; 0.01 A
Switching voltage	Ag contact: Au contact:	AC eff. min. 10 V max. 250 V DC min. 12 V max. 48 V DC min. 5 V max. 24 V
Nominal current	Ag contact: Au contact:	AC eff. 10 A DC 20 mA
Switching current	Ag contact: Au contact:	AC eff. max. 6 A at $\cos \varphi$ 1 AC eff. max. 3 A at $\cos \varphi$ 0.6 AC eff. min. 20 mA DC min. 20 mA DC max. 1 A DC min. 5 mA max. 10 mA
Electrical connection	Standard: Special design:	at screw terminals via PG 11 cable entry plug connection for line sockets as per DIN 43 650 A, 3-pin
Degree of protection	IP 54 as per IEC 529 (EN 60529), protection insulated	
Adjustment	Optionally adjustment for rising or falling pressure possible on site	
Setting tolerance	$\pm 15\%$ switching point deviation referred to reference value, adjusted as pressure rises, vertical diaphragm position	

Installation position

Standard installation position with **vertically** upright diaphragm. When installed **horizontally**, the pressure switch switches at a pressure higher by approx. 0.5 mbar

When installed **horizontally overhead**, the pressure switch switches at a pressure lower by approx. 0.5 mbar

When installed in an **intermediate installation position**, the pressure switch switches at pressure deviating from the set reference value by max. ± 0.5 mbar.

Differential pressure switch for air,
flue and exhaust gases

LGW A2, LGW A2P

DUNGS®

Technical data

1mbar = 100 Pa = 0.1 kPa ≈ 10 mm WS

1 Pa = 0.01 mbar ≈ 0.1 mm WS

Type	Version [Ag PG V9]	Order No.	Setting range [mbar]	Switching difference Δp [mbar]
LGW A Differential pressure switch	LGW 3 A2	107 409	0.4 - 3	≤ 0.3
	LGW 10 A2	107 417	1 - 10	≤ 0.5
	LGW 50 A2	107 425	2.5 - 50	≤ 1
	LGW 150 A2	107 433	30 - 150	≤ 3
	LGW 3 A2P	120 204	0.4 - 3	≤ 0.3
	LGW 10 A2P	120 212	1 - 10	≤ 0.5
	LGW 50 A2P	221 207	2.5 - 50	≤ 1
	LGW 150 A2P	120 238	30 - 150	≤ 3

**Accessories for
LGW A2, LGW A2P pressure switches**

Kit: G3 equipment plug, 3-pin	219 659
Line socket, 3-pin + E, grey GDMW	210 318
Ω clamp for hose	123 612
KlimaSet accessories KS A2	214 828
G 1/8 screw-in gland	083 402
G 1/4 screw-in gland	083 410
Additional test button, complete PT 4	224 940
Attachment plate	224 952

We reserve the right to make any changes in the interest of technical progress.



Head Offices and Factory
Karl Dungs GmbH & Co.
Siemensstraße 6-10
D-73660 Urbach
Telephone +49 (0)7181-804-0
Telefax +49 (0)7181-804-166

Postal address
Karl Dungs GmbH & Co.
Postfach 12 29
D-73602 Schorndorf
e-mail info@dungs.com
Internet www.dungs.com