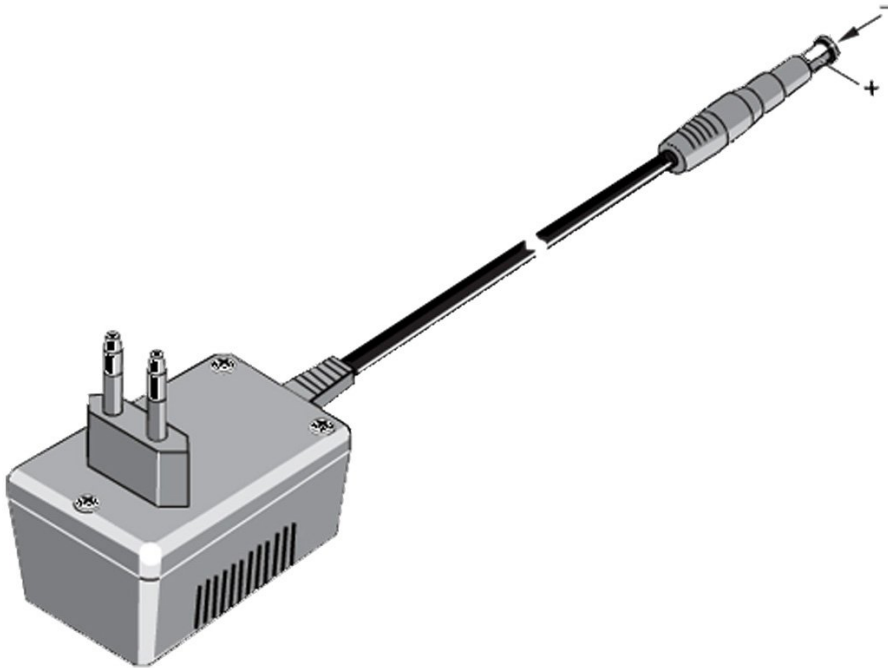


TECHNICAL DATA

# Fluke PM8907 Line Voltage Adapter/Battery Charger



## Key features

808 is equipped with a male receptacle plug that must be connected to a line cord appropriate for local use. (Line cord not included) A North American line plug adapter is included.

## Product overview: Fluke PM8907 Line Voltage Adapter/Battery Charger

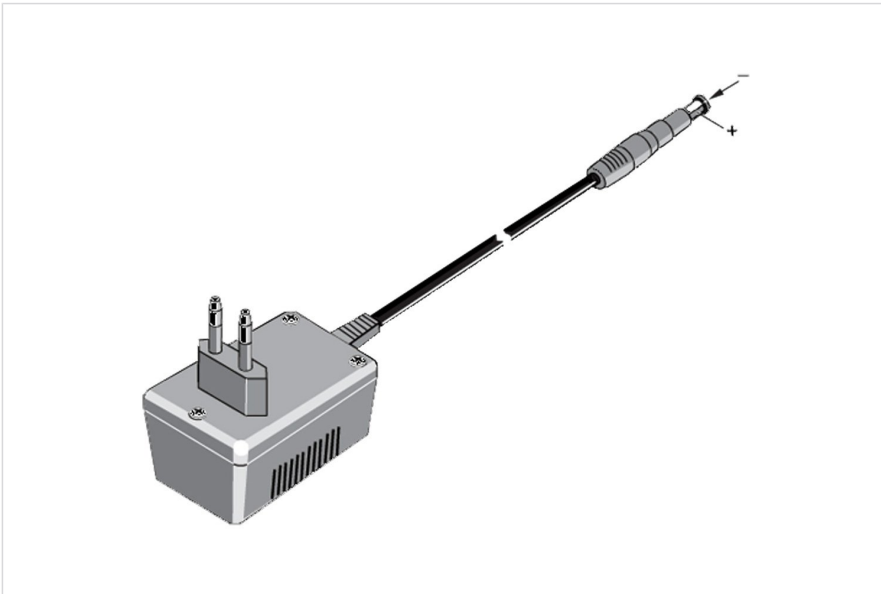
Provides power cord operation and charging for ScopeMeter 90 and 120 series as well as for the Fluke 43 and 43B Power Quality Analyzer and some accessories.

## Specifications: Fluke PM8907 Line Voltage Adapter/Battery Charger

Specifications	
Mains (line voltage)	801 (Europe) 230 V ± 10%
	803 (North America) 120 V ± 100%
	804 (United Kingdom) 240 V ± 10%
	806 (Japan) 100 V ± 10%
	807 (Australia) 240 V ± 10%
	808 (Universal) 115 V ± 15% or 230 V ± 15%

Frequency (all versions)	50 to 60 Hz $\pm$ 10%
Output Voltage	15 V
Output Current	300 mA max
Output Plug	5 mm power jack per DIN 45323
Power Consumption	10 V A
Max. Voltage to Ground	600 Vrms CAT III per IEC 61010-31

## Ordering information



### **PM8907/830**

- Replacement Power Adapter Universal L6

**Fluke.** *Keeping your world up and running.®*

**Fluke Europe B.V.**

P.O. Box 1186  
5602 BD Eindhoven  
The Netherlands  
[www.fluke.com/en](http://www.fluke.com/en)

©2023 Fluke Corporation. All rights reserved.  
Data subject to alteration without notice.  
07/2023

**For more information call:**

In Middle East/Africa  
+31 (0)40 267 5100

**Modification of this document is not permitted  
without written permission from Fluke Corporation.**