

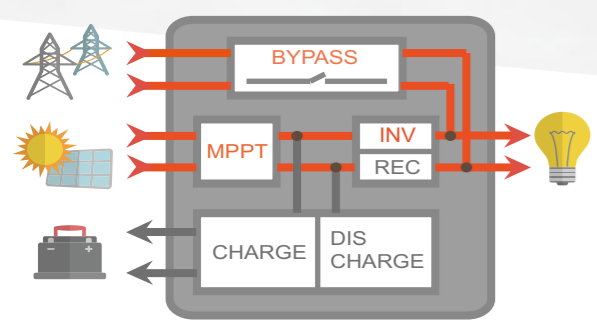
OFF-Grid MPPT Solar Inverter

2KW/3.2KW/5.5KW

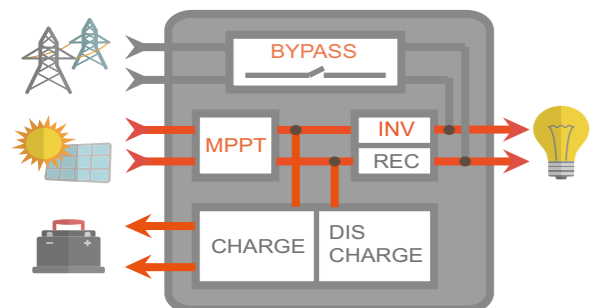
Monitor and manage your solar energy system by your smart phone and PC website. Available for both iOS and Android.



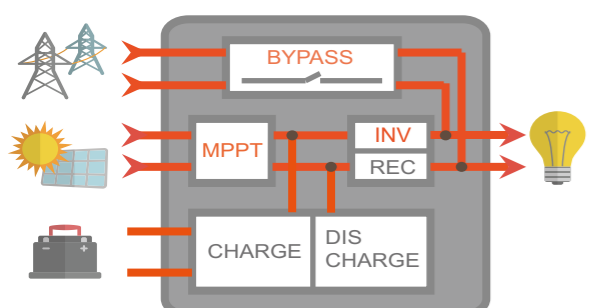
BENEFITS



It can be running without batteries, energy shared from utility and solar to loads at the same time or alternatively. Without batteries, it can help clients to reduce the whole solar system cost and save electricity fee.

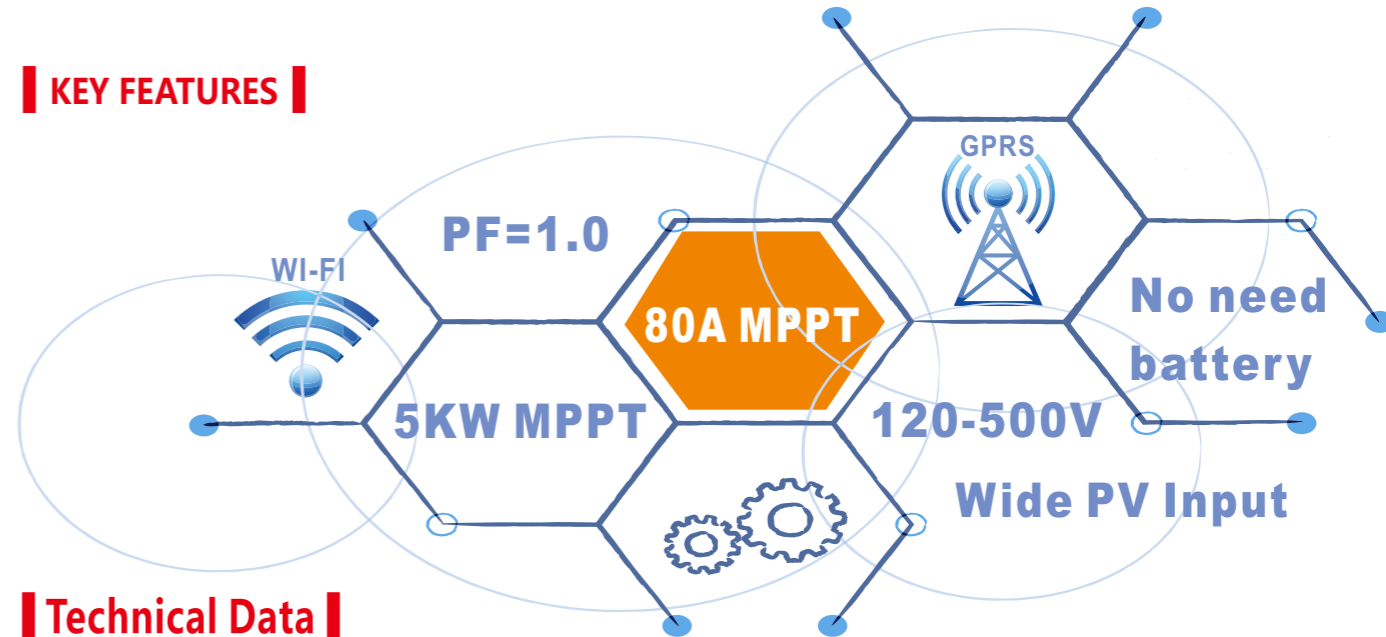


It combines a wide PV input range MPPT controller, can convert solar energy from PV to loads directly and the remaining solar energy converted to batteries synchronously.



When PV output is reduced by clouds or at night, resulting in no surplus PV power available, loads powered by utility, batteries are charged, when utility outage, batteries are discharged.

KEY FEATURES



Technical Data

Model	MV KING 2000-24	MV KING 3200-24	MV KING 5000-48
RATED POWER	2000VA/2000W	3200VA/3200W	5500VA/5500W
INPUT			
Voltage	230 VAC		
Selectable Voltage Range	170-280 VAC (For Personal Computers)		
	90-280 VAC (For Home Appliances)		
Frequency Range	50 Hz/60 Hz (Auto sensing)		
OUTPUT			
AC Voltage Regulation (Batt. Mode)	230VAC ± 5%		
Surge Power	4000VA	6400VA	11000VA
Efficiency (Peak) PV to INV.	97%		
Efficiency (Peak) Battery to INV.	94%		
Transfer Time	10 ms (For Personal Computers) ; 20 ms (For Home Appliances)		
Waveform	Pure sine wave		
BATTERY & AC CHARGER			
Battery Voltage	24 VDC	24 VDC	48 VDC
Floating Charge Voltage	27 VDC	27 VDC	54 VDC
Overcharge Protection	33 VDC	33 VDC	63 VDC
Maximum Charge Current	40 A	80 A	60 A
SOLAR CHARGER			
Maximum PV Array Power	2000W	4000W	5500W
MPPT Range @ Operating Voltage	120 ~ 450 VDC		
Maximum PV Array Open Circuit Voltage	500 VDC		
Maximum Charging Current	60A	80A	80A
Maximum Efficiency	98%		
PHYSICAL			
Dimension, D x W x H (mm)	100 x 300 x 440		
Net Weight (kgs)	8	9	10
Communication interface	USB/RS232/GPRS/WIFI		
OPERATING ENVIRONMENT			
Humidity	5% to 95% Relative Humidity (Non-condensing)		
Operating Temperature	0°C - 55°C		
Storage Temperature	-15°C - 60°C		