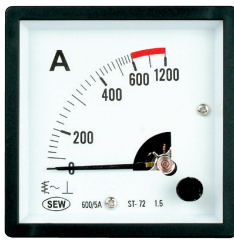
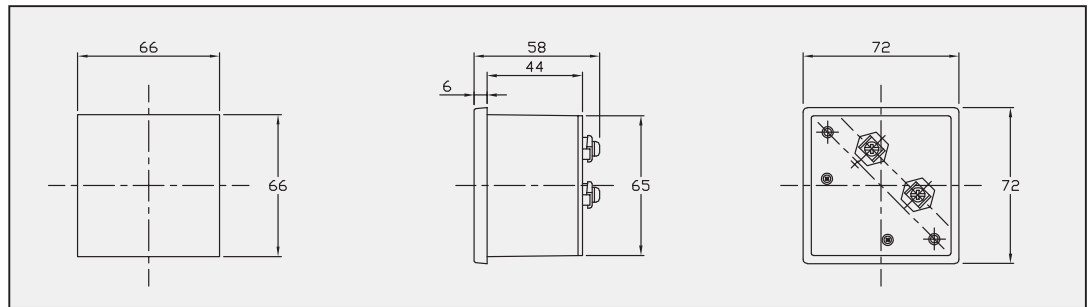


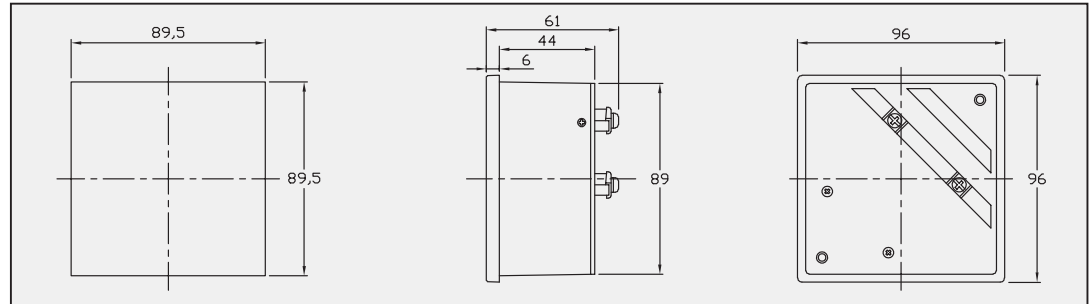
Switchboard Instrument



ST-72



ST-96



Measuring Ranges :

Moving Coil Type

DC uA	DC mA	DC A	DC mV	DC V
50	1	1	50	1
100	1.5	1.5	60	1.5
150	2.5	2.5	100	2.5
200	3	3	500	3
250	5	5		5
300	10	10		10
400	50	15		15
500	100	20		20
600	500	25		25
800	800	30		30
		40		40
		50		100
		60		150
				200
				300
				400
				600

Moving Iron Type

AC mA	AC A	AC V
100	1	100
500	1.5	150
	2.5	250
	5	300
	10	500
	15	600
	20	
	25	
	30	
	40	
	60	
	100	

- **Test Voltage :** 2kV 50~60Hz
- **AC Ampere Over Load Scale :** 200%, 300%, 500%
- **Composition :** Glass window, ABS resin frame and case, Bakelite base
- **Color :** Black case and frame, white scale plate and meter body
- **Pointer :** Stick shape in black color
- **Pointer Length:** ST-72 : 38mm
ST-96 : 55mm

AC Ammeters above 100A require a basic meter combined with an external CT (Current Transformer)

AC Voltmeters above 600V require basic 150V meter combined with and external PT(Potential Transformer)

DC Ammeters above 50A require a basic 50mV meter combined with an external shunt

Measuring range	CT ratio	Measuring range	CT ratio	Measuring range	PT ratio	For connection to shunt measuring range		
0-5 A		0-250 A	250/5	0-300 V	220/110	0-0.5 A	0-100 A	0-1200 A
0-10 A	10/5	0-300 A	300/5	0-600 V	440/110	0-7.5 A	0-150 A	0-1500 A
0-15 A	15/5	0-400 A	400/5	0-4.5 kV	3300/110	0-10 A	0-200 A	0-2000 A
0-20 A	20/5	0-500 A	500/5	0-9 kV	6600/110	0-15 A	0-300 A	0-3000 A
0-25 A	25/5	0-600 A	600/5	0-18 kV	13200/110	0-20 A	0-400 A	0-4000 A
0-30 A	30/5	0-750 A	750/5	0-30 kV	22000/110	0-30 A	0-500 A	0-5000 A
0-40 A	40/5	0-800 A	800/5	0-45 kV	33000/110	0-40 A	0-600 A	0-6000 A
0-50 A	50/5	0-1000 A	1000/5			0-50 A	0-750 A	0-7000 A
0-60 A	60/5	0-1200 A	1200/5			0-75 A	0-1000 A	0-10000 A
0-75 A	75/5	0-1500 A	1500/5					
0-100 A	100/5	0-2000 A	2000/5					
0-150 A	150/5	0-2500 A	2500/5					
0-200 A	200/5	0-3000 A	3000/5					